

1 Functions and Features

- The HMPoE 15 is a Single Port Gigabit Power over Ethernet (PoE) injector that offers High performance PoE solution for maximum deployment flexibility.
- It is the cost effective power solution for the Hirschmann APAC W and all other devices such as WLAN access points, network cameras and other IP terminal installations.
- The HMPoE 15 converts AC power to 48VDC power is then provided over the Ethernet cable.
- The HMPoE 15 supports 10/100/1000Mbps pass through data rates and compliant with IEEE 802.3af PoE.
- The single port HMPoE 15 can be powered via universal AC input.

2 Preliminary Steps

- This equipment is provided with a detachable power cord which has an integral safety ground wire intended for connection to a grounded safety outlet.
 - Do not substitute the power cord with one that is not the provided approved type.
 - Ensure that AC power is applied to the HMPoE 15, using an operational AC cable with an appropriate ground connection.
 - Ensure that output Ethernet cable is connected to the DATA and POWER OUT port.
- Verify that power ready Ethernet compatible device is connected.



3 Warnings

- Do not use cross over cable between the HMPoE 15 output port and the load device Installation.
- Do not to cover HMPoE 15 or block the airflow to the PoE with any foreign objects.
- Keep the HMPoE 15 away from excessive heat and humidity and free from vibration and dust.
- Ensure that the cable length from Ethernet network source to the terminal does not exceed 100 meters (330 feet). The PoE is not a repeater and does not amplify the Ethernet data signal.
- Use a splitter if desired; ensure that the splitter is connected close to the terminal and not on the HMPoE 15.
- No "on-off" switch exists; simply plug the HMPoE 15 into an AC power source.

4 Installation

Refer to figure 1:

1. Connect the provided detachable power cord to an AC outlet (100 - 240VAC).
2. Port LED will be yellow, indicating power is on.
3. Connect the **DATA IN** jack (input) to the remote Ethernet network switch's Patch panel.
4. Connect the **DATA & POWER OUT** jack (output) to the terminal.
5. Port LED will turn green, indicating a remote terminal is connected and the HMPoE 15 is ready for use.

5 Connecting HMPoE 15

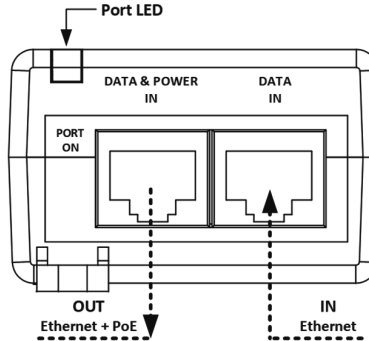


Figure 1. Connecting the HMPoE 15

6 Indicators

Port LED	Indicated Behaviour
Yellow On	Power is on (power is active)
Green On	A remote terminal is connected
Green Blinking	Overload state or short-circuit

7 Environmental Specifications

Mode	Temperature	Humidity
Operating	0 to 40°C 32 to 104°F	10 to 90%; (no condensation allowed)
Storage	-20 to 70°C -4 to 158°F	10 to 90%; (no condensation allowed)

8 Electrical Specifications

Input Voltage	100-240 VAC (50/60 Hz)
Maximal Input Current	0.43 Ampere
Guaranteed Output power	15.4 Watts
Nominal Output Voltage	48VDC

9 Ethernet Interface

Input (DATA IN)	RJ45 female socket
Ethernet 10/100/1000Base-T Output (DATA & POWER OUT)	RJ45 female socket, with DC voltage on wire pairs, 4-5 (+) & 7-8 (-).
Ethernet 10/100/1000Base-T, plus 48VDC	

10 Troubleshooting

NO POWER UP

1. Verify that a reliable power cord is used.
2. Verify that the voltage at the power inlet is between 100 and 240 VAC.
3. Remove and re-apply power to the device and check the indicators during power up sequence.

DOES NOT OPERATE

1. Verify that the HMPoE 15 detects a PD.
2. Verify that the PD is designed for PoE operation.
3. Verify that you are using a standard Category 5/5e/6, straight-wired cable, with four pairs.
4. If an external power splitter is in use, replace it with a known-good splitter.
5. Ensure input Ethernet cable is connected to the DATA IN port.
6. Verify that the PD is connected to the Data & Power port.
7. Try to reconnect the same PD into a different HMPoE 15. If it works, there is probably a faulty port or RJ45 connection.
8. Verify that there is no short over any of the twisted pair cables or over the RJ45 connectors.

NO DATA LINK

1. Verify that the port indicator on the front panel is continuously lit.
2. If an external power splitter is in use, replace it with a known-good splitter.
3. Verify that for this link, you are using standard UTP/FTP Category straight (non-crossover) cabling, with all four pairs.
4. Verify that the Ethernet cable length is less than 100 meters from the Ethernet source to the load/remote terminal.
5. Try to reconnect the same PD into a different HMPoE 15. If it works, there is probably a faulty port or RJ45 connection.

11 Safety Information

- Do not use this product in location that can be submerged by water
- There are no operator serviceable parts inside this equipment. Service should be provided only by a qualified service technician.



- The HMPoE 15 should be connected to PoE networks only, without routing to the outside plant.
- Only qualified personnel can install or remove the HMPoE 15.
- The power cord must have regulatory agency approval for the specific country in which it is used.
- The power cord must be a three-conductor type (two current carrying conductors; one ground conductor) terminated on one end by an IEC 60320 appliance coupler, and on the other end by a plug containing a ground (earthing) contact.
- The power cord must be rated for a minimum of 250 VAC RMS operation, with a minimum rated current capacity of 5 amps (or a minimum wire gauge of 18 AWG (0.75 mm²)).
- The HMPoE 15 "DATA IN" and "DATA & POWER OUT" ports are shielded RJ45 data sockets. They cannot be used as Plain Old Telephone Service (POTS) telephone sockets. Only RJ45 data connectors can be connected to these sockets.
- The AC wall socket-outlet must be near the HMPoE 15 and easily accessible. You can remove AC power from the HMPoE 15 by disconnecting the AC power cord from either the wall socket-outlet or the HMPoE 15 appliance coupler.

- The HMPoE 15 DATA IN and DATA & POWER OUT interfaces are qualified as Safety Extra-Low Voltage (SELV) circuits according to IEC 60950-1. These interfaces can only be connected to SELV interfaces on other equipment.
- The HMPoE 15 should only be connected to the IP device with which it was bought. Using the HMPoE 15 with other IP devices can cause damage to the IP device.
- Read the installation instructions before connecting the HMPoE 15 to its power source.
- Follow basic electricity safety measures whenever connecting the HMPoE 15 to its power source.
- A voltage mismatch can cause equipment damage and may pose a fire hazard. If the voltage indicated on the label is different from the power outlet voltage, do not connect the HMPoE 15 to this power outlet. The unit can be used only in Restricted Access Locations.

12 WEEE Directive Notice



This product complies with the relevant clauses of the European Directive 2002/96 / EC on Waste Electrical and Electronic Equipment (WEEE).

The unit must be recycled or discarded according to applicable local and national regulations.

13 European Conformity



The HMPoE 15 conforms to all applicable regulations and directives of European Union.

14 Ordering information

Part number	Description
695020771	HMPoE 15
695020772	HMPoE 15 including 75 cm white CAT6 patch cable RJ45

15 Notice

- It is Hirschmann-Multimedia policy to improve its products as new technology, components, software, and firmware become available. Hirschmann-Multimedia, therefore, reserves the right to change specifications without prior notice.
- The product images shown are for illustration purposes only and may not be an exact representation of the product.

16 Technical Support

If you encounter problems when installing or using this product, please consult the Hirschmann-Multimedia website at: <https://www.hirschmann-multimedia.com/>



HMPoE 15 QUICK START GUIDE

Gigabit Power over Ethernet (PoE)
Single Port injector 802.3af compliant



Hirschmann Multimedia B.V.
Pampuslaan 170
1382 JS - Weesp
The Netherlands



<http://hm2.eu/poe>



V1.0 20211004UK