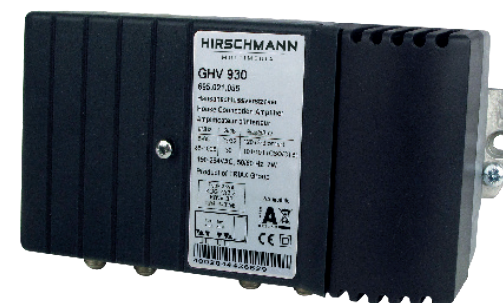


DESCRIPTION	VALUE	UNIT	
Type	GHV 930		
Frequency band	Downstream	Upstream	
Setting: VHF OFF, RP ON	85 - 1006	5 - 65	MHz
Setting: VHF ON, RP OFF	47 - 1006	-	MHz
Amplification	30	22 - 28	dB
Amplification setting, Jumper	-	0-6	dB
Levelling(1dB step), Input	0 < >15	0 < > 15	dB
Levelling, Interstage, Jumper	0-6	-	dB
Flatness	± 1	± 1	dB
Noise factor	< 6.5	< 5	dB
Reflection attenuation (@40MHz, -1,5dB/Octave)	> 18	> 18	
Measuring point (-20dB)	Unidirectional at RF output Bi-directional at RF inlet		
Maximum distortion			
IMA2, <60dB	-	96	dBµV
IMA3, <60dB	-	117	dBµV
CTB, >60dB	103	-	dBµV
CSO, >60dB	103	-	dBµV
RF Connectors (75 Ω)			
RF inlet, measuring point	F-Connector, female		
RF-uitgang, measuring point	F-Connector, female		
General			
Dimensions W x H x D	169 x 76 x 65		mm
Power supply	190 — 264 / 50 < > 60		V~Hz
Power consumption	< 6	W	
Temperature range	-25 < > 55		°C
Safety	II		Class
Housing	20		IP
Weight	750		g

GHV 930

The GHV 930 is a coaxial amplifier for the home with a low noise factor, to be used in small to medium-size CAI systems in homes with more than one connection. The GHV 930 is a modular design with the option of passing on a return signal. Rotary switches and jumpers are installed on the inside to enable convenient attenuation and levelling. The return can be switched on or off, set to active or passive and the downstream can be extended to band I (in which case the return is switched off).

- Suitable for 1 GHz technology.
- Forward amplification 30dB.
- Adjustable attenuation and levelling settings in 1dB increments by means of rotating switches and jumpers.
- Options for return signal available.
- Choice between VHF Band I (RP=OFF) or 5-65 MHz return band (RP=ON).
- Selectable return signal On/Off, Active/Passive.
- Return band active 23/32dB amplification.
- All connectors are F-connector female.
- -20dB measuring points for the RF Inlet and RF Output (not to be used for connection of distributors, taps or wall sockets).
- ESD protected.



INSTALLATION

Important

Take the general safety conditions into account at the installation:

- Before starting work, always remove the 230V AC plug from the wall socket.
- Always have the 230V AC equipment installed by a certified fitter.
- Do not work on the amplifier during a thunderstorm.
- Always connect the CAI system to a clear earth point. If there is no earth on the signal takeover point (TRAS 1000/B or DIO-01), you can also connect the amplifier itself to this earth (earth cable diameter min. 4 mm²).

Installation guidelines

Horizontal installation. Take the following instructions on the conditions into account:

- Install on non-flammable material (brick or concrete wall).
- Ensure dust-free surroundings, protected from moisture and/or splashing and rain water.
- Not in direct sunlight.
- Not in an excessively heated room (central heating room, etc.).
- Avoid using the amplifier at its highest permissible operating temperature.

Wall mounting

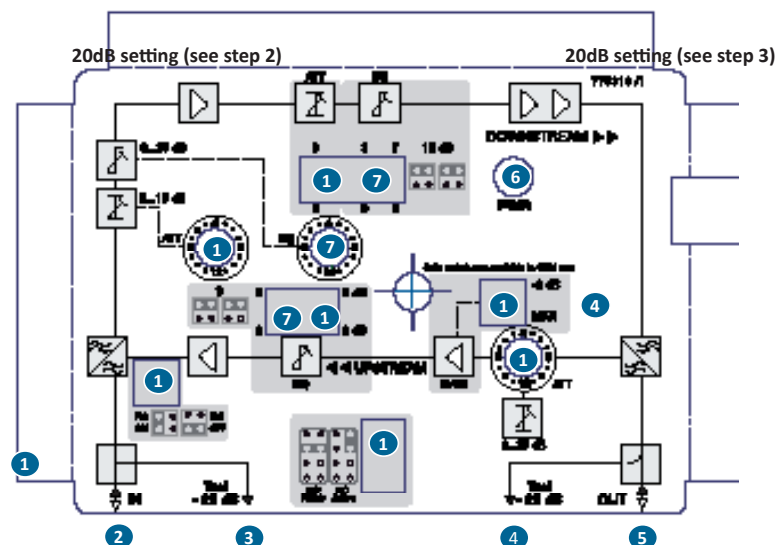
- Attach the amplifier to the wall according to the indicated measurements (screws \varnothing max. 4.8 mm, distance between the attachment holes 158 mm).
- If there is no signal takeover point, use an earth cable to connect a clean earth under screw A (minimum diameter 4 mm²).
- Connect the cables to RF inlet B and RF outlet C. Ensure optimal connection with the proper Hirschmann Multimedia connectors and cables.
- Connect the 230V AC plug.

The GHV 930 is factory-programmed at a maximum amplification of 30dB. In practice, amplification of +30dB is only required when larger CAI systems are used, for the use of several multitaps or for longer coaxial cables.

+20dB is more than adequate for the average home. Too high a signal can distort the installation, causing it to malfunction.

APPENDIX

Fig. 1 Inside of the amplifier



- | | |
|---|-----------------------|
| 1 Control/rotary switch (attenuation) | 5 RF inlet, RF output |
| 2 RF inlet, RF output | 6 ON/OFF LED |
| 3 Measuring point RF inlet/RF output (2 directions) -20dB | 7 Levelling settings |
| 4 Measuring point RF output (1 direction) -20dB | |

Please note, only change the settings indicated, and not all other options!

For 20dB setting:

- Step 1.** Remove the cover by loosening the screw in the middle using a suitable crosshead screwdriver.
- Step 2.** Turn the rotating switch clockwise in four steps from position 0 to position 4.
- Step 3.** Pull the left jumper from the print at the top jumper and move it one position upward.