

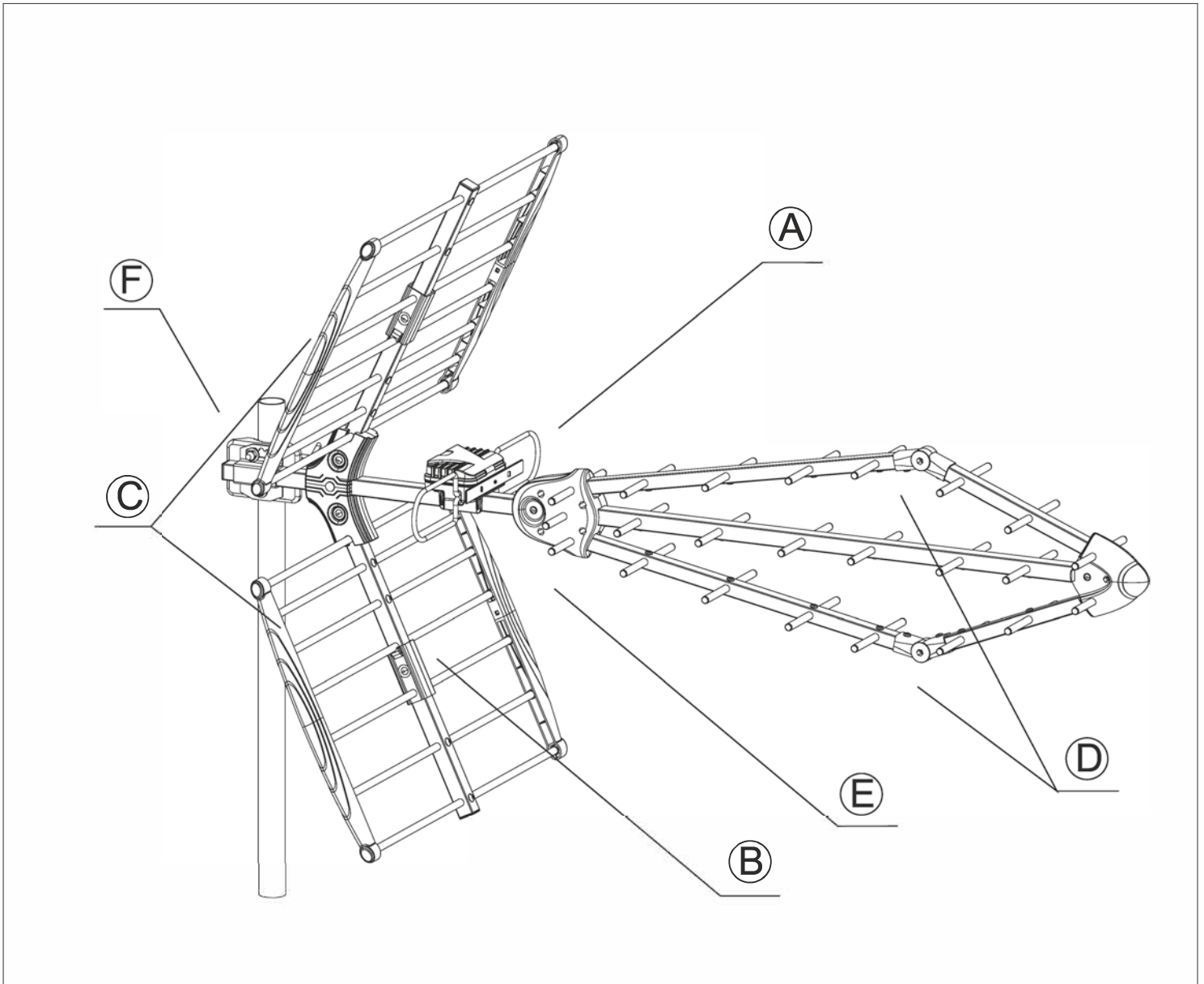
# nedis

## ANOR1000ME TV Antenna UHF

### Technical data:

Frequency Range	Channels	Impedance	No. of elements	Antenna Gain	Beam width H/V	Front- back Ratio	Antenna Length
470- 694Mhz	Ch.21-48	75 $\Omega$	26	12- 17 dBi	H38°V52°	15- 25dB	1085mm

### Antenna connection:



# Antenna connection:

