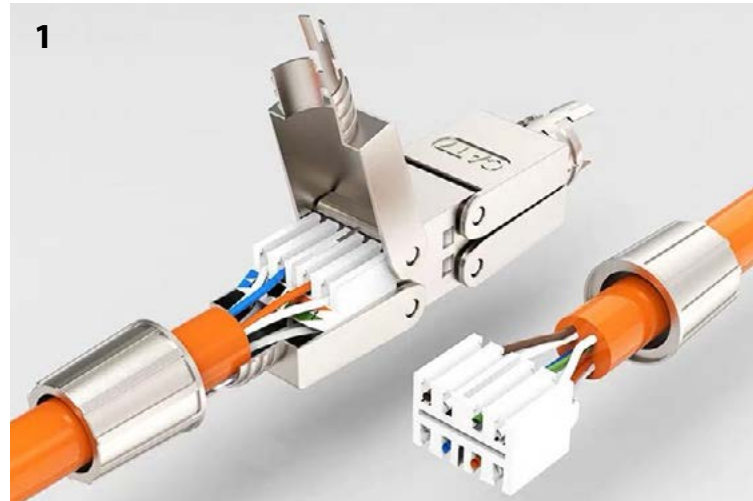


redis

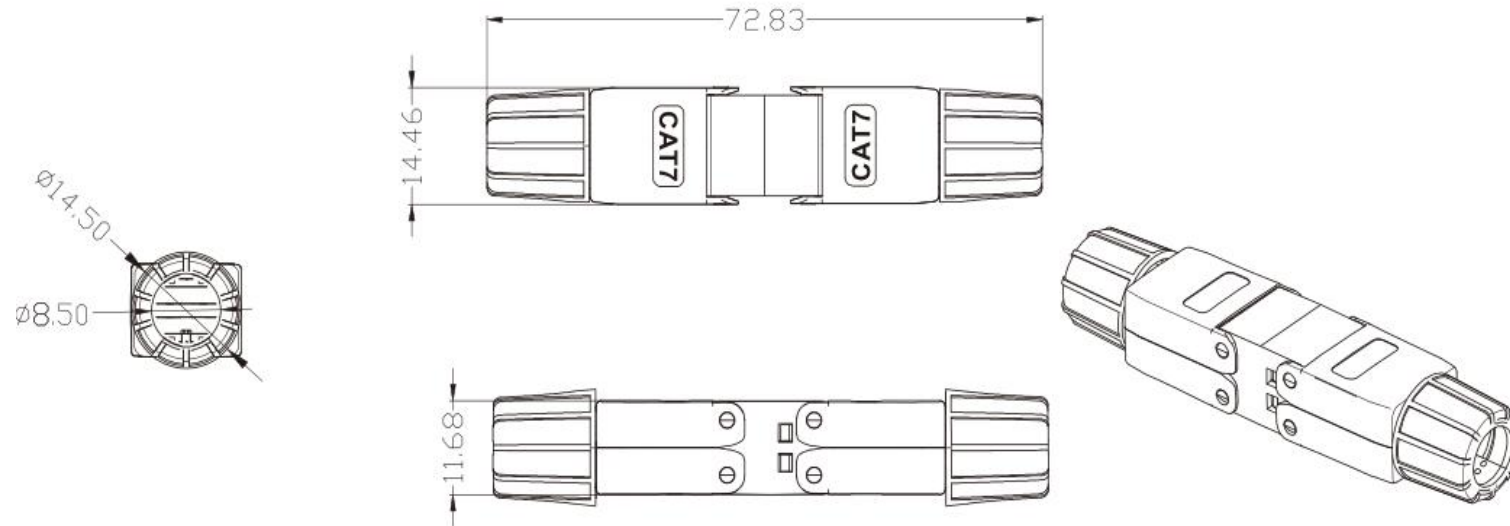
CAT 7 metal coupler

Patented

CCGP89020ME



redis

**TYPE:**

1. CAT.6A SHIELDED TOOLLESS CONNECTOR
2. COLOUR: SILVER
3. ROHS,REACH COMPLIANT

CABLE MATCHED:

1. SOILD AND STRANDED
2. 22AWG/23AWG/24AWG

ELECTRICAL:

1. CONTACT RESISTANCE: 20m OHM
2. INSULATION RESISTANCE: $\leq 500\text{M OHM @}100\text{ V DC}$
3. WITHSTAND VOLTAGE: DC1000V AC700V RMS 60Hz, IMIN
4. CAT6A PERMANENT LINK: CONFORM TO ANSI/TIA/EIA 568B. 2-10

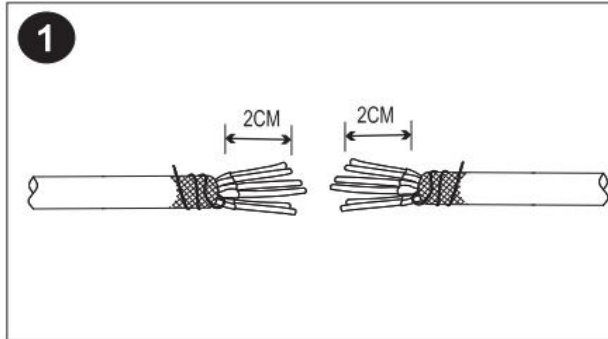
ENVIRONMENTAL:

1. STORAGE: -40° / $+70^{\circ}$
2. OPERATION: -10° / $+60^{\circ}$

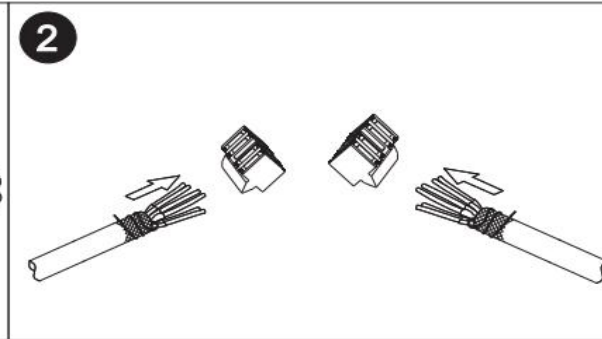
MECHANICAL:

1. SHIELDED MATERIAL: ZINC ALLOY
2. PLASTIC MATERIAL: NEW PC
3. TERMINAL PINS: PHOSPHOR BRONZE, ZIN PLATING
4. RJ45 CONTACT LIFE: 750 TIMES MIN
5. IDC TERMINAL LIFE: 250 TIMES MIN

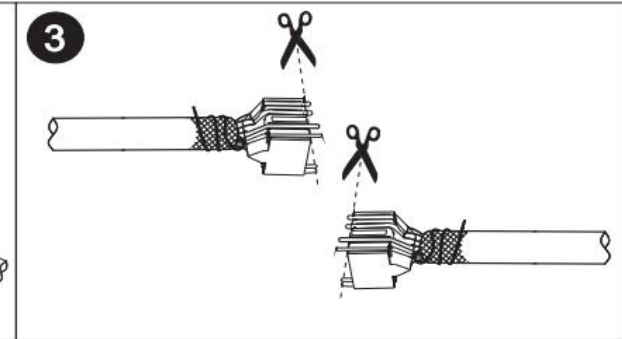
SHIELDED TOOLLESS CONNECTOR INSTRUCTION MANUAL



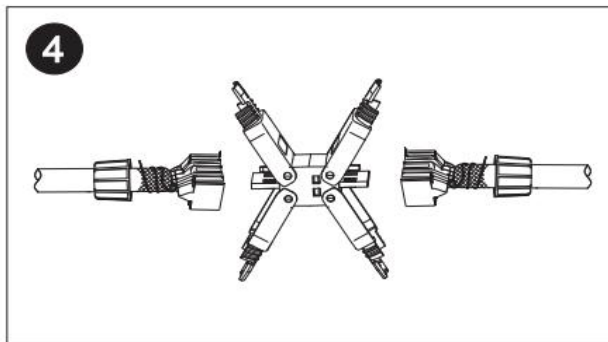
1 TAKE OF THE CABLE JACKET BY TOOL ABOUT 2CM



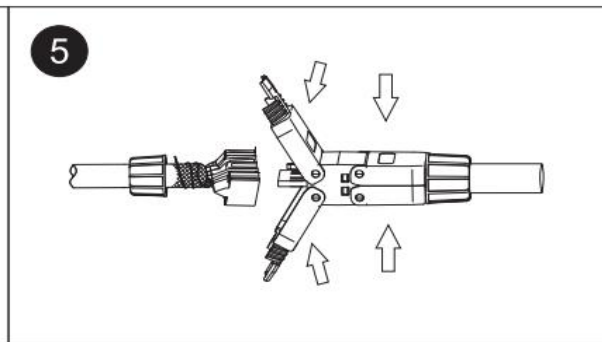
2 PUT CABLE INTO IDC ACCORDING TERMINAL T568



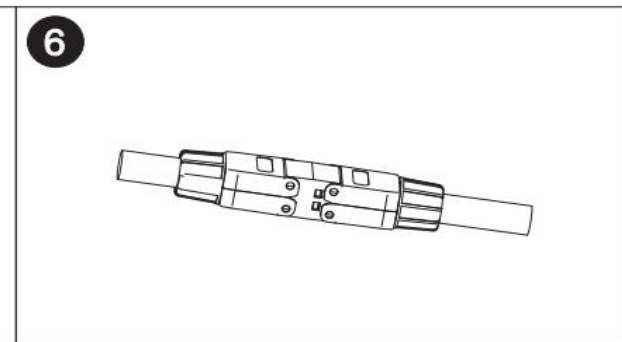
3 CUT AWAY THE EXTRA WIRES



4 TO INSERT IDC INTO PCB



5 PRESS DOWN BOTH SIDE METAL HOUSING UNTIL THE WIRE INTO THE IDC PIN CHASE



6 THE FINISHED PRODUCT



T: +31 (0)73-5991055
W: support.nedis.com
NEDIS B.V.
De Tweeling 28
5215 MC 's-Hertogenbosch
The Netherlands

The product is designated for separate collection at an appropriate collection point. Do not dispose of the product with household waste.
For more information, contact the retailer or the local authority responsible for the waste management.