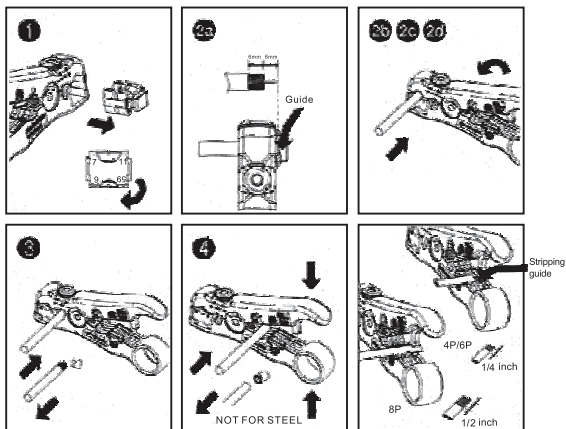


nedis

CSGG49520YE



Instructions:

- Cassette is reversible, one side is available for RG 59/6 and another side is for RG 7/11.
- For stripping coaxial cable:
 - Insert the cable until it aligns with the cable guide.
 - Insert your index finger into the stripper's finger ring, rotate the stripper by counter clockwise 3-5 times. The cable insulation is cut while you are turning the stripper.
 - Open the jaws and remove the cable. Pull away the outer jacket and dielectric to expose the inner conductor.
 - Stripping distance is designed for 6mm, for each dielectric and inner conduct.
- For stripping round networking cable:
 - Insert the cable into the second stripping hole, rotate 1-3 times at counter clockwise, and then open the jaw and remove the outer jacket.
 - The black color adjusting knob is for adjusting the blade's depth. Turn clockwise for increasing the blade's depth and counter clockwise for reducing the depth.
- For cutting coaxial cable, round networking cable or flat telephone cable, place the cable in position and then squeeze the handles.
- For stripping flat cable, insert the cable between the stripper blades. Squeeze handle, cable must be kept perpendicular and then pull from the tool.
Insert 8P cable into the two-bladed side of the tool's stripper and let it extend a little past the lower cut blade.