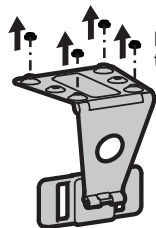
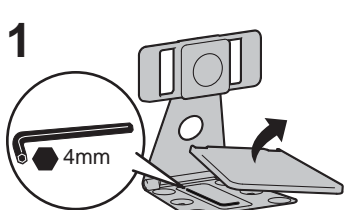


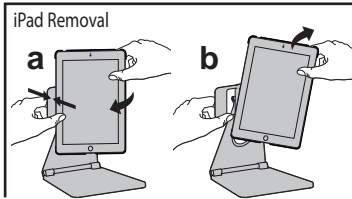
1



NOTE: Please remove rubber feet when mounting the stand on the wall or under a cabinet.



CAUTION:
iPad is secured to mount via magnetic tension.
Minimal force required to disengage from mount.



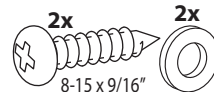
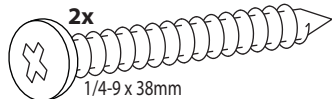
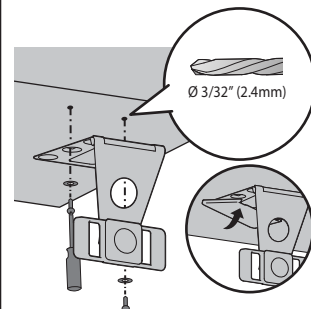
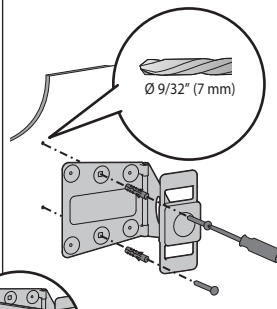
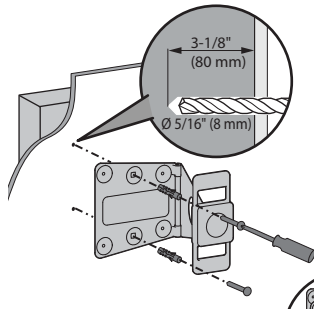
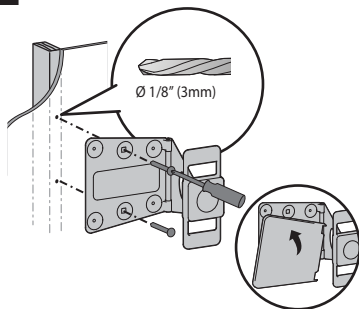
2

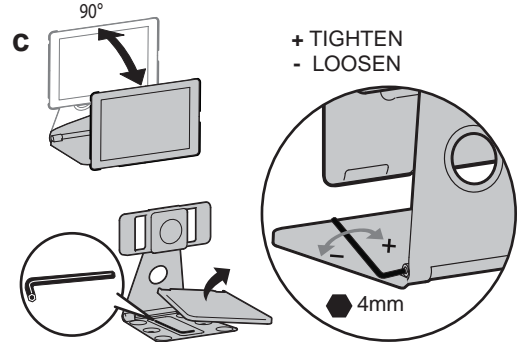
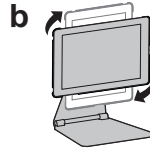
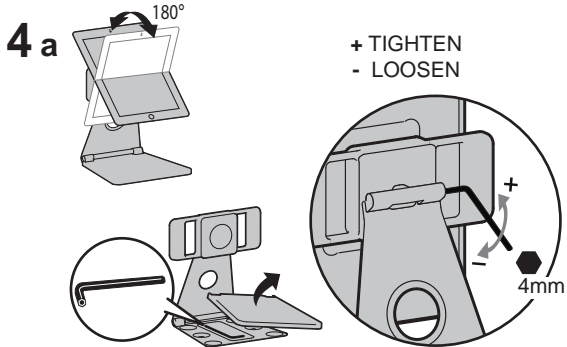
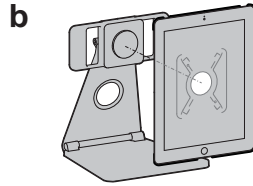
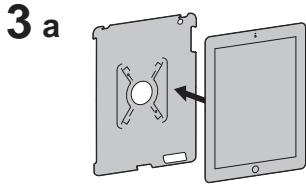
Wood

Concrete

Hollow Wall

Under Cabinet





Disclaimer – OmniMount, Inc. has extended every effort to ensure to accuracy and completeness of this manual. However, OmniMount, Inc. does not claim that the information covers all installation or operational variables. The information contained in this document is subject to change without notice or obligation of any kind. Regarding the information contained herein, OmniMount, Inc. makes no representation of warranty, expressed or implied, and assumes no responsibility for accuracy, sufficiency, or completeness of the information contained in this document. It is the responsibility of the installer to ensure all components are properly assembled and installed using the instructions provided. If you do not understand these instructions or have any questions or concerns, please contact customer service at 1-800-668-6848 or info@omnimount.com.

Do not attempt to install or assemble this product if the product or hardware is damaged or missing. In the event that replacement parts or hardware are needed, please contact Customer Service at 1-800-668-6848 or info@omnimount.com. International customers needing assistance should contact the Dealer from which they purchased the product.

All trademarks are the property of their respective companies. OmniMount is a registered trademark of Ergotron, Inc. © 2014. OmniMount, Inc. 4409 East Baseline Road, Suite 130, Phoenix, AZ 85042

For service and warranty visit www.omnimount.com