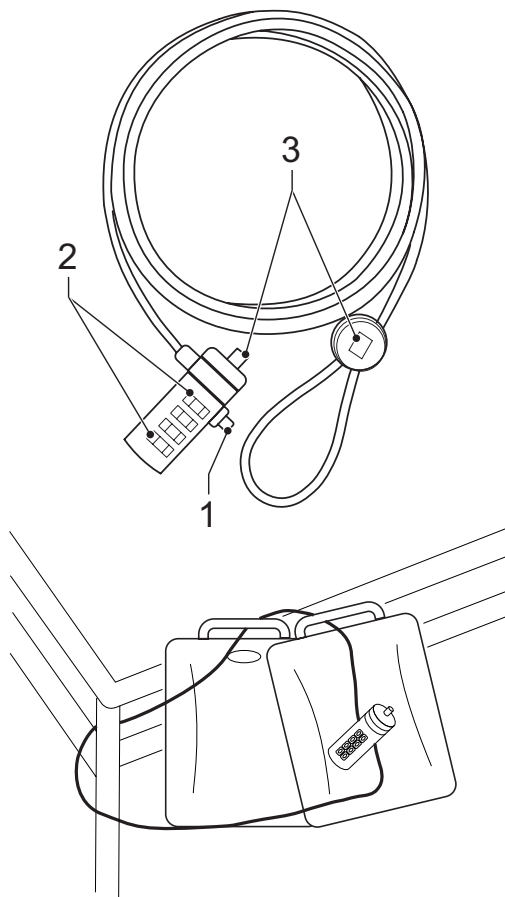


nedis

NBLKD100ME

4-digit combination lock



English - Description

The 4-digit combination lock has been designed to protect desktop computers, laptops/notebooks, computer monitors, printers or other devices against theft.

1. Code unlock button	<ul style="list-style-type: none">• Set the combination lock to "0-0-0-0".• Press and hold the code unlock button.
2. 4-digit combination	<ul style="list-style-type: none">• Set your personal code for the combination lock.• Release the code unlock button. Your personal code has been set. <p>Note: Remember your personal code or record your personal code and keep it in a safe place.</p>
3. Combination lock	<p>Use the combination lock to protect your device against theft. Refer to the example illustration.</p>

Support

If you need further help or have comments or suggestions please visit www.nedis.com/support

Contact

NEDIS B.V., De Tweeling 28, 5215 MC's-Hertogenbosch, The Netherlands