



25.0 W

Enhance your audio system with OmniMount's Stainless Steel Series 25.0 speaker mount. A top-of-the-line solution, the 25.0 mounts to the wall and can be positioned to direct sound exactly where you want it.



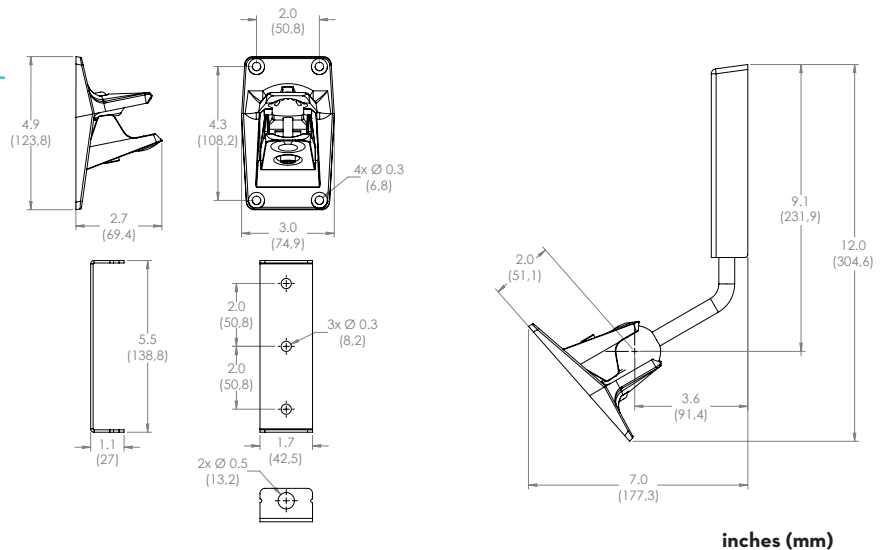
PRODUCT SPECIFICATIONS*

Fits most: Bookshelf speakers
Supports up to: 25 lbs (11,3 kg)
Thread size: 3/8" - 16
Tilt: +/- 30°
Pan: 180°
Base Rotation: 360°
Color: Black

PRODUCT BENEFITS*

- Polymer-injected ball controls resonance frequencies for better sound
- Stainless steel hardware for strength and durability
- Suitable for all weather use
- Ball and clamp design for greater mounting flexibility
- Includes clamp and jaw
- Includes complete hardware kit

*Subject to change



inches (mm)

	UPC	Dimensions WxDxH inches (mm)	Wt lbs (kg)	Qty
Packaging	698833040432	15 x 7.1 x 4.3 (380x180x110)	3.1 (1,4)	--
Master Carton	698833040439	15.4 x 14.6 x 9.1 (390x370x230)	12.8 (5,8)	4

Box Contents	Qty
Clamp assembly	1
Wall ball shaft	1
Mounting plate	1

Box Contents	Qty
Polymer ball	1
Complete hardware kit	1
Instruction manual	1



OmniMount is a registered trademark and brand of Ergotron, Inc. ©2015 Ergotron, Inc. is a Nortek Company



800.MOUNT.IT (800.668.6848)

11232015