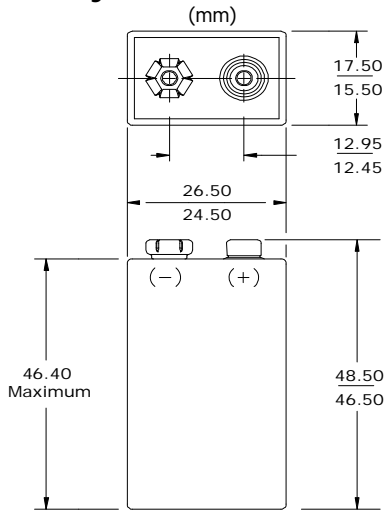


**9V**

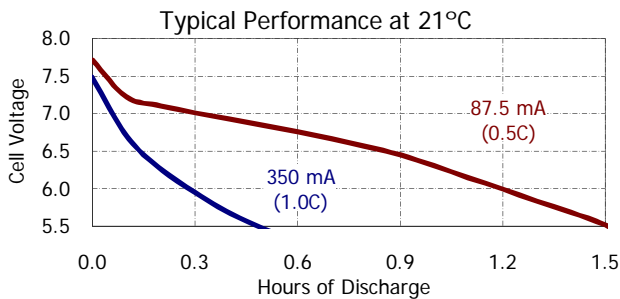
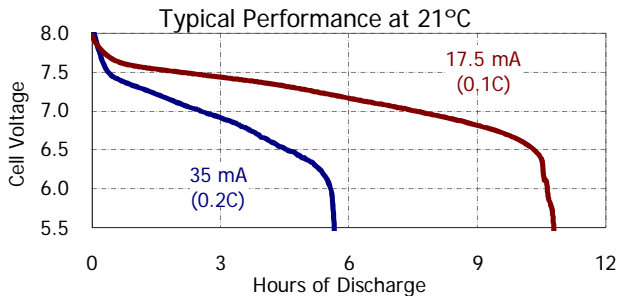
Rechargeable 9V-175 (HR22)



Industry Standard Dimensions



Typical Discharge Characteristics



Specifications

**Classification:** ACCU Rechargeable  
**Chemical System:** Nickel-Metal Hydride (NiMH)  
**Designation:** IEC-HR22  
**Nominal Voltage:** 8.4 Volts  
**Rated Capacity:** 175 mAh (to 1.0 volts)  
 Based on 35 mA (0.2C) discharge rate  
**Typical Weight:** 41.0 grams  
**Typical Volume:** 21.7 cubic centimeters  
**Jacket:** Plastic

Internal Resistance:

The internal resistance of the cell varies with state of charge, as follows:

Cell Charged	Cell 1/2 Discharged
1000 milliohms	1500 milliohms
(tolerance of ±20% applies to above values)	

AC Impedance (No Load):

The impedance of the charged cell varies with frequency, as follows:

Frequency (Hz)	Impedance (milliohms) (Charged Cell)
1000	950

Above values based on AC current set at 1.0 ampere.  
 Value tolerances are ±20%.

Operating and Storage Temperatures:

To maintain maximum performance, observe the following general guidelines regarding environmental conditions.

Charge: 0°C to 40°C  
 Discharge: 0°C to 50°C  
 Storage: -20°C to 30°C  
 Humidity: 65±20%

Operating at extreme temperatures, will significantly impact battery cycle life.

**Important Notice**

This datasheet contains information specific to battery chargers manufactured at the time of its publication.  
 ©Energizer Holdings, Inc. - Contents herein do not constitute a warranty