

# Click50

---

## Modular Outlet Platform Guide



**technetix**

---

### Online

Email: [customer.service.vdl@technetix.com](mailto:customer.service.vdl@technetix.com)

Website: [technetix.com](http://technetix.com)

---

**Technetix Group Limited**

Nov/2017 - V5

**Contents**

<b>1</b>	<b>Introduction .....</b>	<b>1</b>
<b>2</b>	<b>Application Diagram .....</b>	<b>3</b>
<b>3</b>	<b>Product Overview - Outlets .....</b>	<b>6</b>
	Double Galvanic Isolator .....	6
	Single Galvanic Isolator.....	10
	Optical Outlet .....	14
<b>3</b>	<b>Product Overview - Outlet Accessories .....</b>	<b>18</b>
	Blanking Plate.....	18
	80 mm CH Faceplate.....	18
	80 mm Standard EU Faceplate .....	19
	86 mm UK Faceplate .....	19
	88 mm CH Faceplate.....	20
	80 mm EU and CH Extender.....	20
	86 mm UK Extender.....	21
	88 mm CH Extender.....	21
	80 mm EU and CH Back Box .....	22
	86 mm UK Back Box .....	22
	88 mm CH Back Box.....	23
	Extended Integrated Housing.....	23
	Flush Frame .....	24
<b>4</b>	<b>Configuration Matrix.....</b>	<b>25</b>
<b>5</b>	<b>Ordering Information .....</b>	<b>27</b>
	RF Units .....	27
	Optical Units .....	27
	Accessories.....	28

## Introduction

Technetix' Click50 is a premise outlet solution designed to meet DOCSIS 3.1 (2 GHz) market demands. The system is designed with migrating networks in mind, to reduce installer time, de-skill, and reduce truck rollouts.

The modular solution can be configured with upgradable components to support migrating networks from HFC to PON. It is entirely future-proof and covers the MoCA frequency band, is simple-to-install, easy-to-modify and can operate in RF and optical networks simultaneously.

The CL50 series is designed to operate at 2 GHz - high performance isolators with ultra-low CPD. It provides full protection against hazardous surge voltages and mains faults. Very high screening efficiency avoids interference and the series is optimised to provide excellent LTE frequency screening (digital dividend).

### Available in:

- Three colours: Signal White, Pure White, and Traffic Black.
- All standard European frame sizes.

RoSH and WEEE compliant, CE marked.

### The Click50:

- is modular, quick and easy to install
- allows easy migration from coax, to hybrid, to fibre networks
- is available in all European footprints
- is compact and aesthetically pleasing
- is flexible and can be configured to meet most applications
- has scope for development and the addition of modular custom features.

The Click50 solution addresses the needs of a changing market, while still providing enhancement to legacy in-home networks across the world.

## Colours

The Click50 range is available in three different colours. For a full list of products please see page 25.



Pure white



Signal white

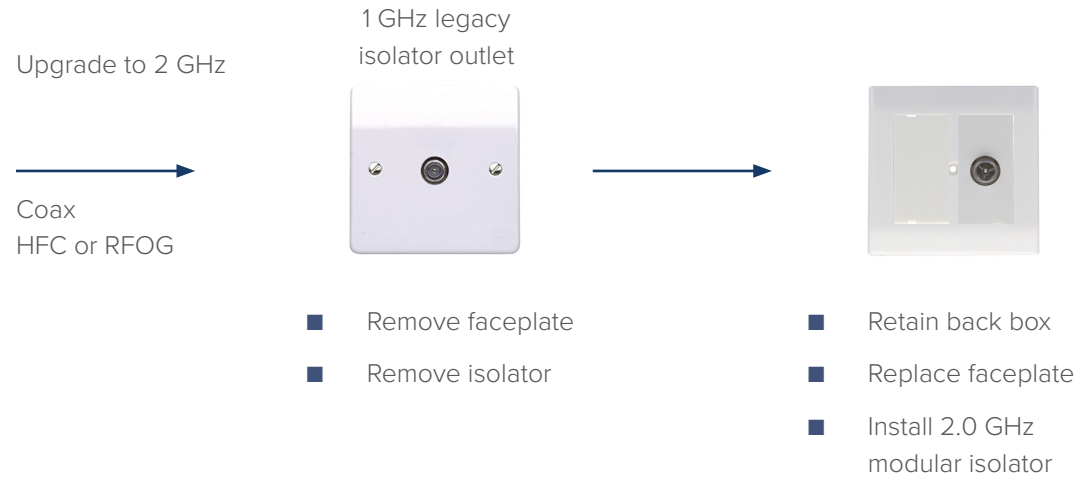


Traffic black

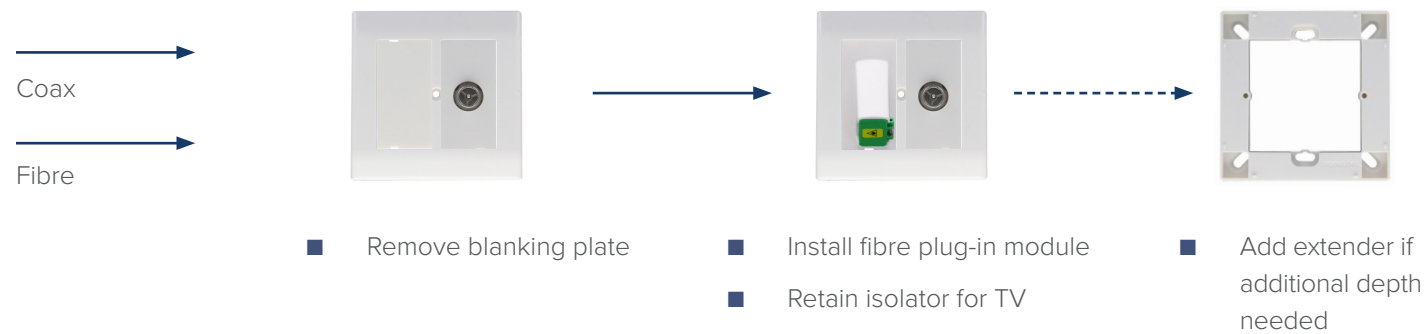
Application diagrams

Legacy upgrade

Upgrading from 1 GHz to DOCSIS 3.1 2 GHz

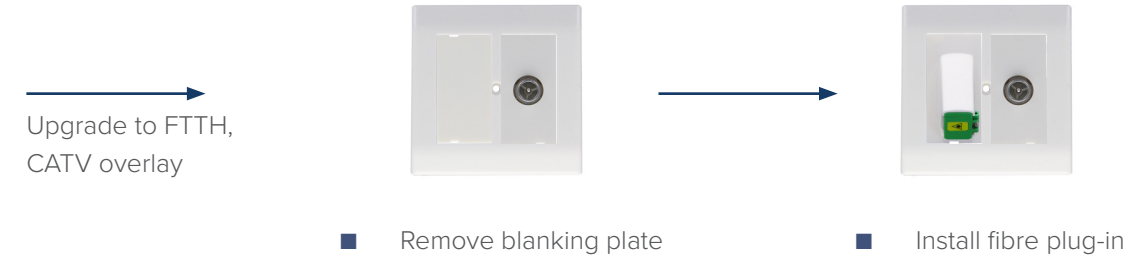
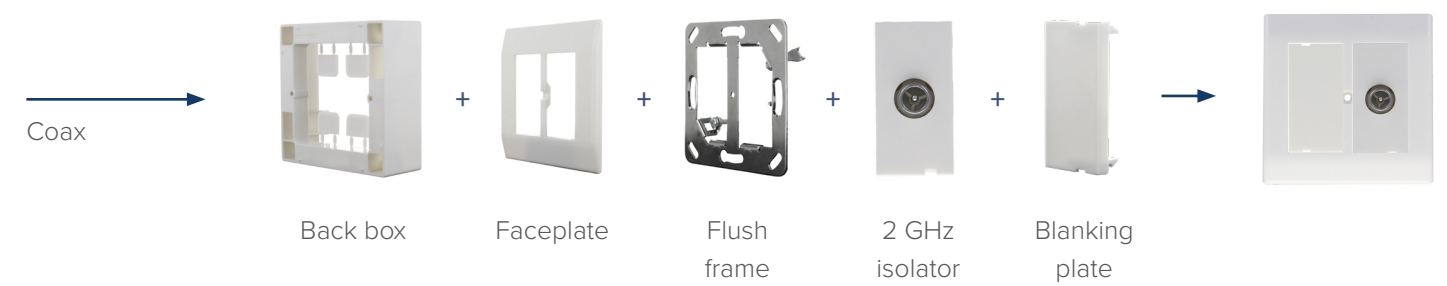


Upgrade to FTTH, CATV overlay



New build

Full set of accessories available to build wall outlet from new. Upgrade to FTTH, CATV overlay.



### CL50-DGFF-XX Double Galvanic Isolator

- 2 GHz single output double galvanic isolator
- Compact design
- Fits 25 mm × 50 mm Euro data outlet socket
- 45 degree outlet port
- Flexible mini-coax flylead input with F-type female connector
- Exceeds EN Class A +10 dB screening requirements
- Input F connector secured with 85 mm insulation sleeve



#### Overview

The CL50-DGFF-XX is a high performance 2 GHz barrel isolator with excellent RF and EMC performance, designed to be fully compatible with the 'Click-50' mounting system.

Isolators (frequently referred to as system outlets) are used to separate the in-home installation or subscriber equipment from the CATV network. They prevent hazardous voltages from being transferred to in-home installations.

Technetix supplies two major types of isolator; fully and semi-isolated system outlets.

The CL50-DGFF-XX series comprises of fully isolated/fully galvanic system outlets developed to meet the needs of the European market. They incorporate high voltage capacitors that provide isolation to both the inner and the outer conductors of the coaxial connectors.

Operating to 2 GHz, the CL50-DGFF-XX series offers an isolation solution for full DOCSIS 3.1 deployments while maintaining high levels of performance and protection.

Designed to fit a Euro Outlet, 25 mm × 50 mm aperture, the CL50-DGFF-XX series offers flexibility to be used in a wide range of install situations.

The CL50-DGFF-XX series is part of the CL50 outlet range of products which offer the operator a complete compact and innovative range of outlets for RF and Fibre installations.

#### Technetix CPD Safe™

CPD (Common Path Distortion) is well known for producing signal interference on networks. It is caused by electrolytic corrosion or the oxidation of dissimilar metals when in close contact. Technetix CPD Safe™ technology protects against CPD and:

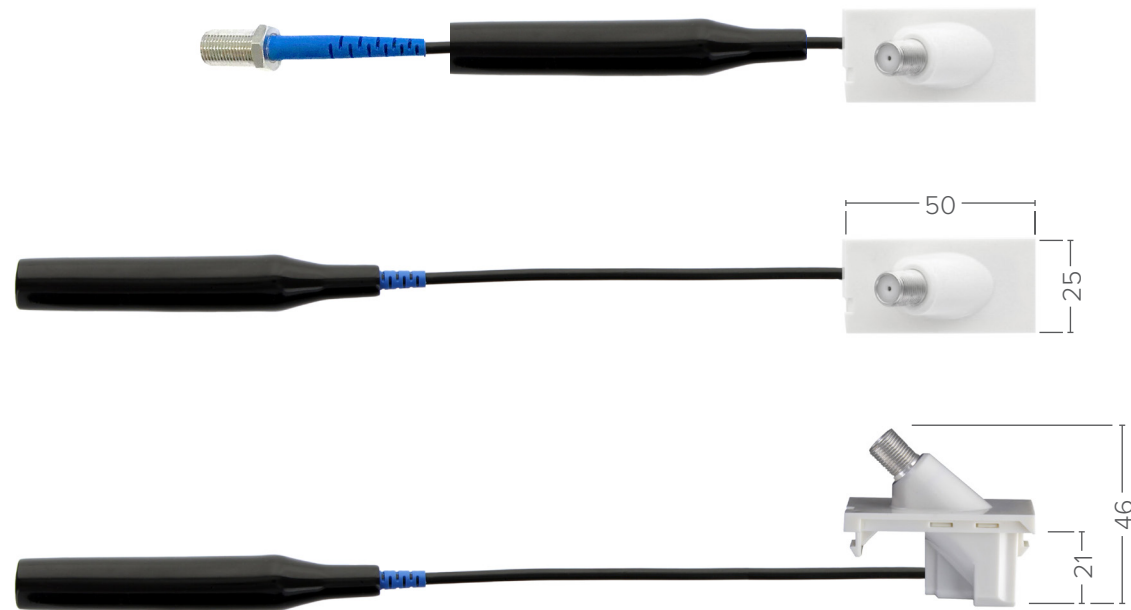
- Removes a primary cause of CPD
- Reduces signal interference on the network
- Drives fewer reported faults
- Reduces truck rolls
- Improves customer service

### Design and safety compliances

Safety	BS EN 60728-11 2010 <b>Cable networks for television signals, sound signals and interactive services</b>	Sections 10.1 & 10.2.1
	EN 60065 2014 <b>Audio, video and similar electronic apparatus</b> - Safety requirements	Section 13.3.2 'Clearances in circuits conductively connected to mains'
	BS EN 62368-1:2014 <b>Information technology equipment</b> - Safety	Section 4.1 General requirements
EMC	BS EN 50083-2 2012: <b>Cable networks for television signals, sound signals and interactive services</b> -Electromagnetic compatibility for Equipment	Section 5.5
	IEC 62153-4-7:2015 <b>Metallic communication cable test methods</b> - Part 4-7: Electromagnetic compatibility (EMC) Triaxial tube in tube method	
Design	BS EN 60728-4 2008 <b>Passive coaxial wideband distribution equipment.</b>	

### Mechanical Specifications

Coax Details		Connector Details	
Inner conductor	Silver-plated copper clad steel	Contacts	Inner Contact BeCu, white bronze plated
Insulation	Solid PTFE	Standard	IEC 60169-24
Outer conductor	Tin-soaked high strength copper braid	Input Connector	Brass, white bronze plated
Jacket	PVC	Output Connector	Brass, white bronze plated
		<b>F Connectors</b>	



### Electrical Performance

Characteristic	Port Type	Notes	Frequency Range(s) MHz	Min	Typical	Max	
Insertion Loss	I/P to O/P		12-1006	-	0.3 dB	1 dB	
			1006-2000	-	0.8 dB	1.5 dB	
Return Loss	All ports		12-300			20 dB	
			300-1006			18 dB	
			1006-1700			14 dB	
			1006-2000			12 dB	
Galvanic Isolation 2120VDC	Inner conductor I/P to inner conductor O/P	1				0.2 mA	
	Outer conductor I/P to outer conductor O/P	1				0.2 mA	
Galvanic Isolation 230VAC	Inner conductor I/P to inner conductor O/P					2.0 mA	
	Outer conductor I/P to outer conductor O/P					2.0 mA	
Screening Efficiency		2	12-30	2.5 mΩ/m	-	-	
			30-1000		95 dB	-	-
			1000-2000		85 dB	-	-
Intermodulation		3	25 V Surge			120 dBc	
		4	1 kV Surge			120 dBc	

#### Notes

1	IEC-60728-11 §10 safety requirement: 2120 VDC T ≥ 1 minute,	3	Two carriers (60 & 65 MHz), Out to In @ 120 dBuV, After 10 pulses (25 V), at all ports
2	According IEC 62153-7 § 5.5	4	Two carriers (60 & 65 MHz), Out to In @ 120 dBuV, After 1 pulses (1 kV), at all ports

Notes: All performance specified at 23°C

#### Ordering information

Item name	Article number	Description	ABS colour
CL50-DGFF-PW	19011740	Click50 2 GHz Double Galv Iso, flylead, 45° F-F pure white	PW Pure White (RAL9010)
CL50-BP-TB	19011748	Click50 2 GHz Double Galv Iso, flylead, 45° F-F traffic black	TB Traffic Black (RAL9017)
CL50-EIF-SW	19011768	Click50 2 GHz Double Galv Iso, flylead, 45° F-F signal white	SW Signal White (RAL9003)

### CL50-SGIM-XX Single Galvanic Isolator



- 2.0 GHz single output single galvanic isolator
- Compact design
- Fits 25 mm x 50 mm Euro data outlet socket
- 90 degree outlet port
- Cable clamp input
- Exceeds EN Class A +10 dB screening requirements
- Meets cable dimension from RF spec



### Overview

The CL50-SGIM-PW is a small compact modular wall outlet compatible with all 'Click 50' faceplates and mounting systems. This is a low loss wideband outlet featuring simple connectivity and working from 12 MHz to 2 GHz with excellent RF screening. The cable clamp mechanism accommodates and fixes securely a wide variety of coaxial cables and provides a wide aperture for easy cable insertion.

Isolators (frequently referred to as system outlets) are used to separate the in-home installation or subscriber equipment from the CATV network. They prevent hazardous voltages from being transferred to in-home installations.

Technetix supplies two major types of isolator; fully and semi-isolated system outlets.

The CL50-SGIM-PW series comprises of semi-isolated/ single galvanic system outlets developed to meet the needs of the European market. They incorporate high voltage capacitors that provide isolation to the inner conductors of the coaxial connectors.

Operating to 2 GHz, the CL50-SGIM-PW series offers an outlet solution for full DOCSIS 3.1 deployments while maintaining high levels of performance.

Designed to fit a Euro outlet, 25 mm x 50 mm aperture, the CL50-SGIM-PW series offers flexibility to be used in a wide range of install situations.

The CL50-SGIM-PW series is part of the CL50 outlet range of products which offer the operator a complete compact and innovative range of outlets for RF and fibre installations.

Once the cable is connected the outlet snaps into the 'Click 50' faceplate.

#### Technetix CPD Safe™

Common Path Distortion (CPD) is well known for producing signal interference on networks. It is caused by electrolytic corrosion or the oxidation of dissimilar metals when in close contact. Technetix CPD Safe™ technology protects against CPD and:

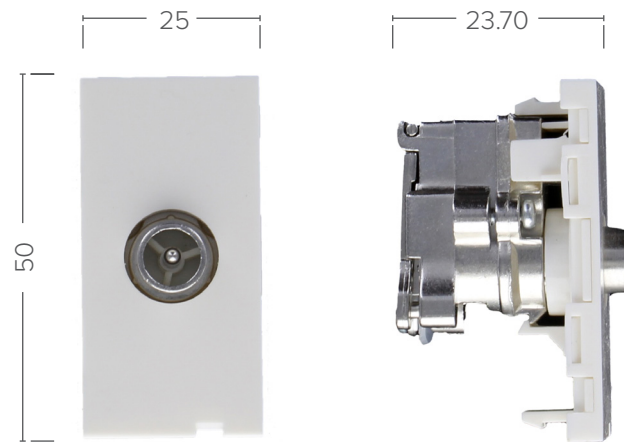
- Removes a primary cause of CPD
- Reduces signal interference on the network
- Drives fewer reported faults
- Reduces truck rolls
- Improves customer service

### Design and safety compliances

Safety	BS EN 60728-11 2010 <b>Cable networks for television signals, sound signals and interactive services</b>	Sections 10.1 & 10.2.1
	EN 60065 2014 <b>Audio, video and similar electronic apparatus</b> - Safety requirements	Section 13.3.2 'Clearances in circuits conductively connected to mains'
	BS EN 62368-1:2014 <b>Information technology equipment</b> - Safety	Section 4.1 General requirements
EMC	BS EN 50083-2 2012: <b>Cable networks for television signals, sound signals and interactive services</b> -Electromagnetic compatibility for Equipment	Section 5.5
	IEC 62153-4-7:2015 <b>Metallic communication cable test methods</b> - Part 4-7: Electromagnetic compatibility (EMC) Triaxial tube in tube method	
Design	BS EN 60728-4 2008 <b>Passive coaxial wideband distribution equipment.</b>	

### Mechanical Specifications

Part	Material	Finish
Faceplate	ABS	Polished
Body	Die cast zinc	Tin-Nickel plated
Coax connector contact	Beryllium Copper	Tin-Nickel plated
IEC connector pin	Brass	Tin-Nickel plated



**Available with plastic rear cover**

Ordering information	
Item name	Article number
CL50-SGC	19011745

### Electrical Performance

Characteristic	Port Type	Notes	Frequency Range(s) MHz	Min	Typical	Max
Insertion Loss	I/P to O/P		5-1006			0.2 dB
			1006-1700			0.3 dB
			1700-2000			0.4 dB
Return Loss	All Ports		5-12			16 dB
			12-300			20 dB
			300-1006			18 dB
			1006-1700			14 dB
			1700-2000			12 dB
Galvanic Isolation 2120VDC	Inner conductor I/P to inner conductor O/P	2				0.2 mA
Galvanic Isolation 230VAC	Inner conductor I/P to Inner conductor O/P					2.0 mA
Connectors	Input clamp			Range of inner conductor diameters		0,4 .. 1,2 min Ø/ max Ø
				Range of outer conductor diameters		2,6 .. 5,8 min Ø/ max Ø
				Range of jacket diameters		4,1 .. 7,2 min Ø/ max Ø
	Output			IEC male at 90 degrees		
Screening Efficiency		3	12-30	2.5 mΩ/m	-	-
			30-1006	100 dB	-	-
			1006-1700	90 dB	-	-
			1700-2000	80 dB	-	-
Intermodulation		4	25 V Surge	120 dBc	-	-
		5	1 kV Surge	120 dBc	-	-

#### Notes

2	IEC-60728-11 §10 Safety Requirement: 2120 VDC T ≥ 1 minute,	4	Two carriers (60 & 65 MHz), Out to In @ 120 dBuV, After 10 pulses (25 V), at all ports
3	According IEC 50117-2-1 (This is a cable EMC test standard, compliance requested by LGI)	5	Two carriers (60 & 65 MHz), Out to In @ 120 dBuV, After 1 pulses (1 kV), at all ports

Notes: All performance specified at 23°C

#### Ordering information

Item name	Article number	Description	ABS colour
CL50-SGIM-PW	19011742	Click50 2 GHz Single Galv. Iso., clamp, 90° IEC-M pure white	PW Pure White (RAL9010)
CL50-SGFF-SW	19011743	Click50 2 GHz Single Galv. Iso., clamp, 90° F-F signal white	SW Signal White (RAL9003)
CL50-SGFF-PW	19011744	Click50 2 GHz Single Galv. Iso., clamp, 90° F-F pure white	PW Pure White (RAL9010)



**CL50-45XXX-XX**  
**Optical Outlet**

- Simplex and duplex LC/APC adapter
- Fits 25 mm x 50 mm Euro data outlet socket
- Integrated fibre management tray
- 45 degree outlet port
- Spring loaded safety shutter
- Designed for left or right outlet slot



**Overview**

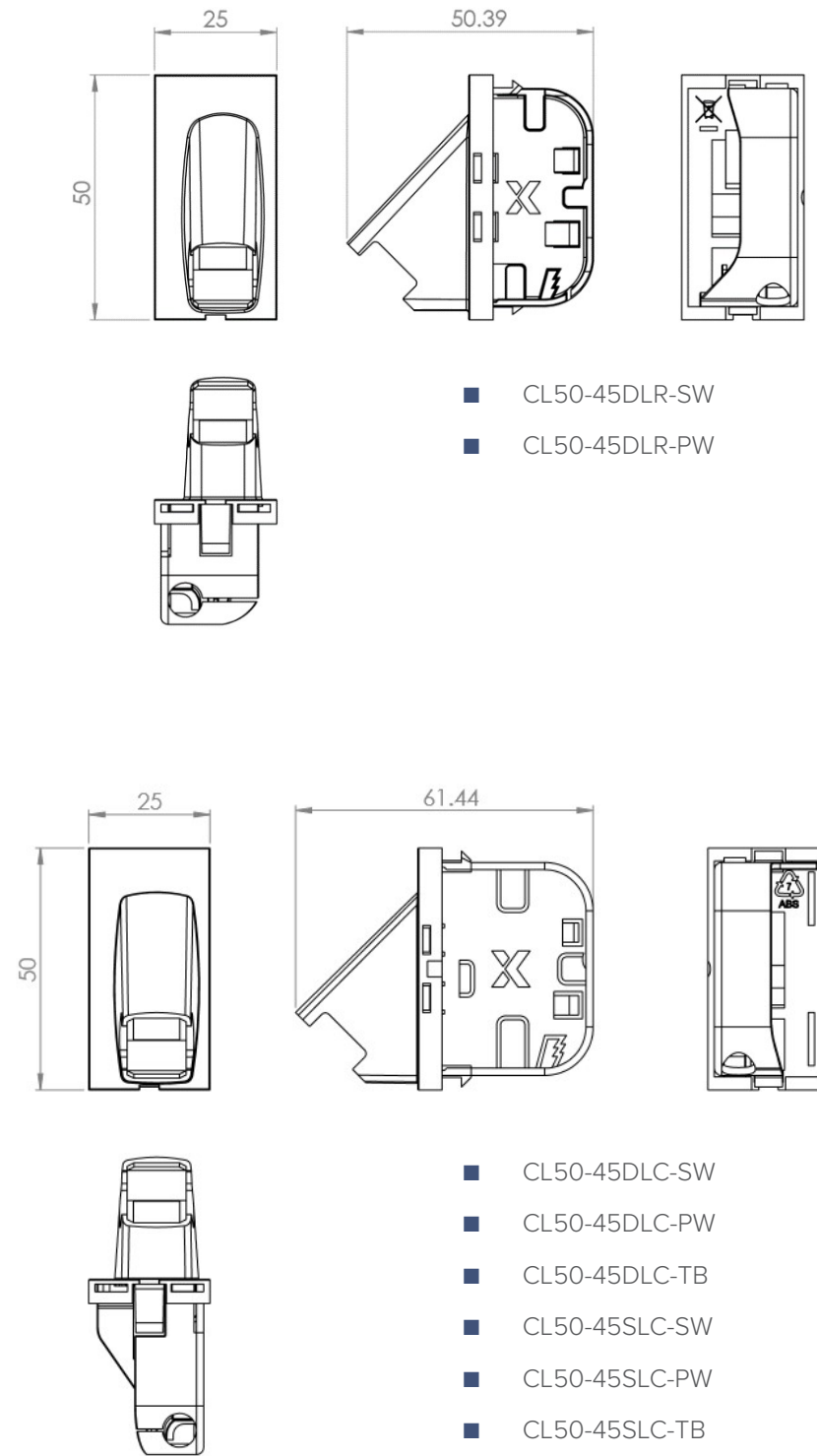
CL50 optical outlets are part of, and are fully compatible with Technetix 'Click-50' mounting system. They are equipped with a fibre management tray to enable proper management of fibre cable excess after installation.

Fibre management tray is designed in various options: For left and right outlet slot and with different depth.

**Ordering information**

Item name	Article number	Description	ABS colour
CL50-45DLR-SW	19011734	Click50 Fibre Plug-In 45° Dual LC FT right signal white	SW Signal White (RAL9003)
CL50-45DLR-PW	19011735	Click50 Fibre Plug-In 45° Dual LC FT right pure white	PW Pure White (RAL9010)
CL50-45DLL-PW	19011736	Click50 Fibre Plug-In 45° Dual LC FT left pure white	PW Pure White (RAL9010)
CL50-45DLC-SW	19011737	Click50 Fibre Plug-In 45° Dual LC compact FT signal white	SW Signal White (RAL9003)
CL50-45DLC-PW	19011738	Click50 Fibre Plug-In 45° Dual LC compact FT pure white	PW Pure White (RAL9010)
CL50-45DLC-TB	19011739	Click50 Fibre Plug-In 45° Dual LC compact FT traffic black	TB Traffic Black (RAL9017)
CL50-45SLC-SW	19011750	Click50 Fibre Plug-In 45° Simplex LC compact FT signal white	SW Signal White (RAL9003)
CL50-45SLC-PW	19011751	Click50 Fibre Plug-In 45° Simplex LC compact FT pure white	PW Pure White (RAL9010)
CL50-45SLC-TB	19011752	Click50 Fibre Plug-In 45° Simplex LC compact FT traffic black	TB Traffic Black (RAL9017)

Mechanical Specifications



Electrical Performance

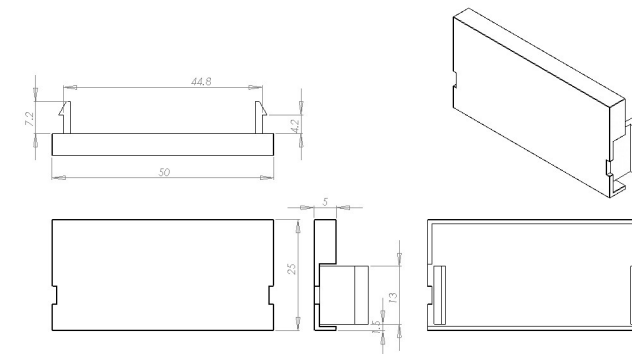
Parameter	Units	Performance	Notes
Insertion loss	Maximum $\geq 97\%$	$\leq 0.25$ dB	
	Mean	$\leq 0.12$ dB	
Return loss		$\geq 60$ dB (mated)	1
Duct types	mm	5/3,5	
Duct strain relief	N	20	
Fiber storage ruggedized patch cords	cm	25	
	nr	2	
Fiber storage winding length capability	mm	60 cm	
Fiber storage bending radius after installation	mm	$\approx 15$	
Polished angle		8 degrees	
Connector standard		LC/APC	2
Connector tilt		Angled 45°	
Port protection		Spring loaded safety shutter	
Item Colour		Signal White RAL9003 (SW)	
		Pure White RAL9010 (PW)	
		Traffic Black RAL9017 (TB)	
Item material		ABS	
Surface		Polished	

Notes

- 1 Reference - Attenuation Random Mated IEC 61300-3-34
- 2 According to BS EN 61754-20




Outlet Accessories

Blanking Plate

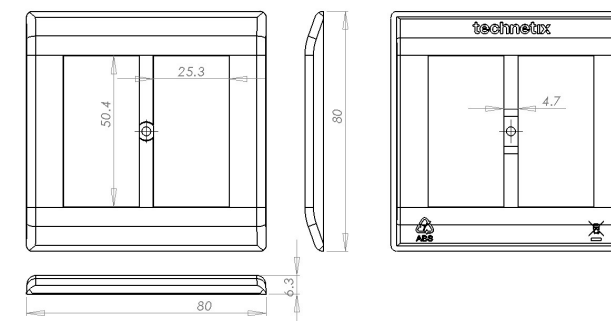


Parameter	
Item Material	ABS
Item Surface	Polished

Ordering information


Item name	Article number	Description	Colour
CL50-BP-PW	19011747	Click50 blank panel (single-slot) Pure White	 PW Pure White (RAL9010)
CL50-BP-TB	19011748	Click50 blank panel (single-slot) Traffic Black	 TB Traffic Black (RAL9017)
CL50-EIF-SW	19011768	Click50 blank panel (single-slot) Signal White	 SW Signal White (RAL9003)

80 mm CH Faceplate

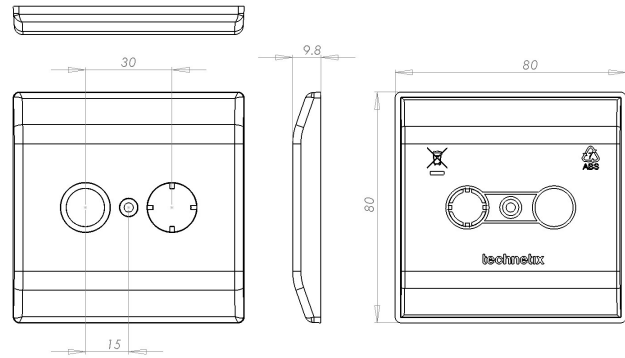


Parameter	
Item Material	ABS
Item Surface	Polished
Screw	Bright zinc plating (BZP) Mild steel M3 x 8 mm

Ordering information

Item name	Article number	Description	Colour
CL50-CP80-PW	19011731	Click50 Cover/Face-Plate for CH 80x80 mm Pure White	 PW Pure White (RAL9010)

### 80 mm Standard EU Faceplate

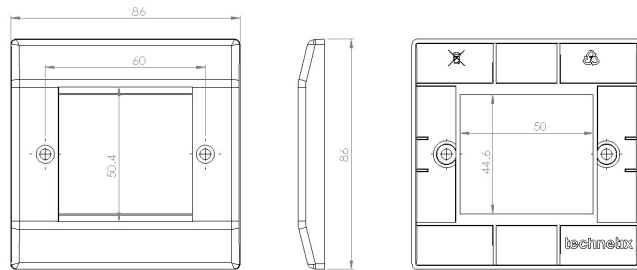


Parameter	
Item Material	ABS
Item Surface	Polished
Screw	Bright zinc plating (BZP) Mild steel M3 x 8 mm

#### Ordering information

Item name	Article number	Description	Colour
CL50-CPEU-PW	19011732	Click50 Cover/Face-Plate for EU Pure White	PW Pure White (RAL9010)

### 86 mm UK Faceplate

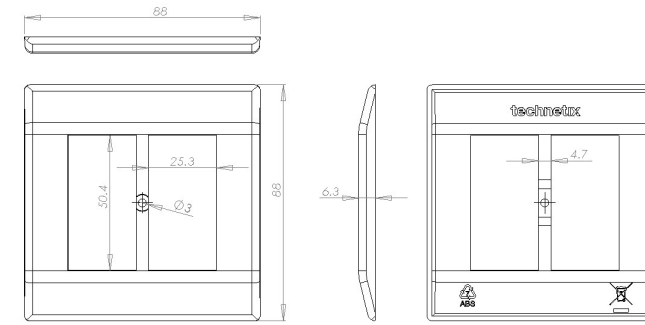


Parameter	
Item Material	ABS
Item Surface	Polished
Screws (2x)	Bright zinc plating (BZP) Mild steel M3 x 8 mm

#### Ordering information

Item name	Article number	Description	Colour
CL50-CPUK-TB	19011729	Click50 cover/faceplate for UK 86x86 mm Traffic Black	TB Traffic Black (RAL9017)
CL50-CPUK-SW	19011728	Click50 cover/faceplate for UK 86x86 mm Signal White	SW Signal White (RAL9003)

### 88 mm CH Faceplate

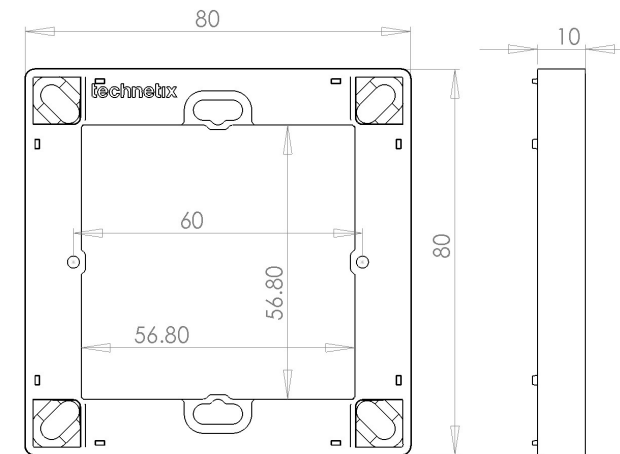


Parameter	
Item Material	ABS
Item Surface	Polished
Screw	Bright zinc plating (BZP) Mild steel M3 x 8 mm

#### Ordering information

Item name	Article number	Description	Colour
CL50-CP88-PW	19011730	Click50 cover/faceplate for CH 88x88 mm Pure White	PW Pure White (RAL9010)

### 80 mm EU and CH Extender

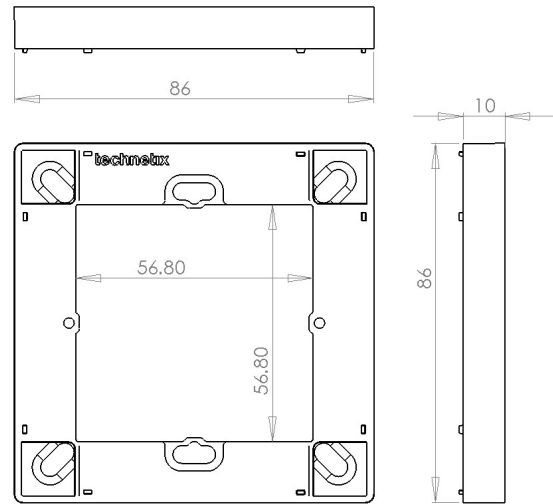


Parameter	
Item Material	ABS
Item Surface	Polished
Screws (2x)	Bright zinc plating (BZP) Mild steel M3 x 8 mm

#### Ordering information

Item name	Article number	Description	Colour
CL50-EXEU-PW	19011725	Click50 extender for EU and CH 80x80 mm Pure White	PW Pure White (RAL9010)

### 86 mm UK Extender

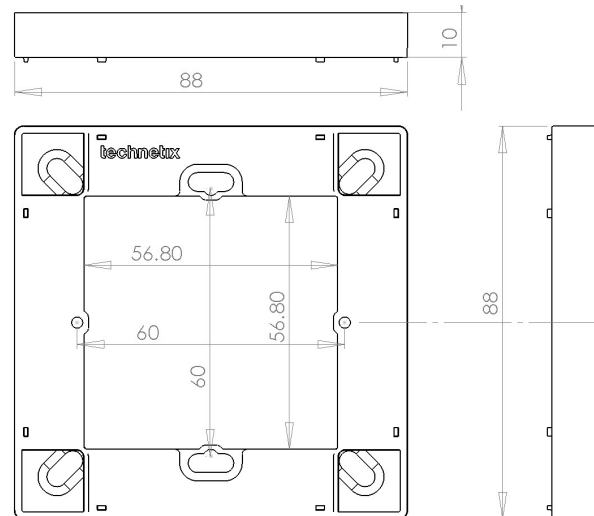


Parameter	
Item Material	ABS
Item Surface	Polished
Screws (2x)	Bright zinc plating (BZP) Mild steel M3 x 8 mm

#### Ordering information

Item name	Article number	Description	Colour
CL50-EXUK-TB	19011723	Click50 extender for UK 86x86 mm Traffic Black	TB Traffic Black (RAL9017)
CL50-EXUK-SW	19011722	Click50 extender for UK 86x86 mm Signal White	SW Signal White (RAL9003)

### 88 mm CH Extender

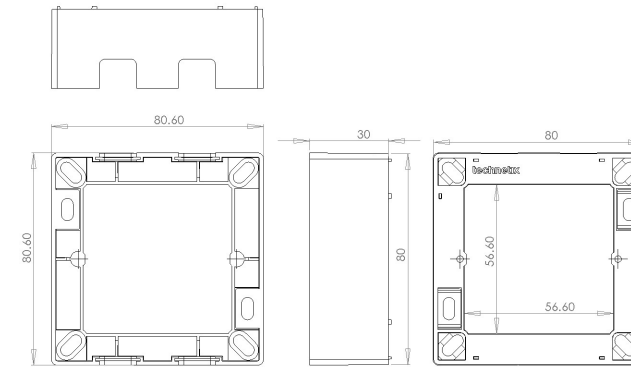


Parameter	
Item Material	ABS
Item Surface	Polished
Screws (2x)	Bright zinc plating (BZP) Mild steel M3 x 8 mm

#### Ordering information

Item name	Article number	Description	Colour
CL50-EX88-PW	19011724	Click50 extender for CH 88x88 mm Pure White	PW Pure White (RAL9010)

### 80 mm EU and CH Back Box

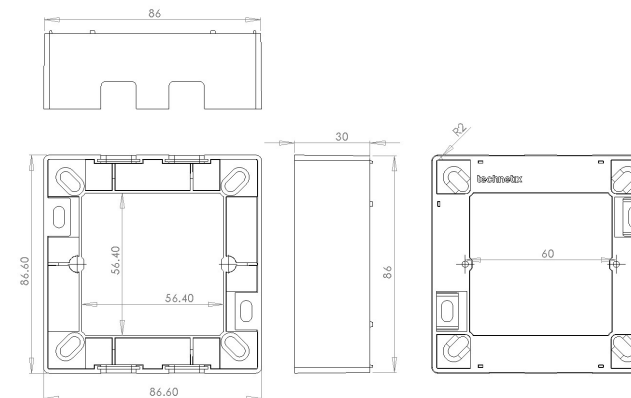


Parameter	
Item Material	ABS
Item Surface	Polished
Screws (2x)	Bright zinc plating (BZP) Mild steel M3 x 8 mm

#### Ordering information

Item name	Article number	Description	Colour
CL50-BBEU-PW	19011721	Click50 back box for EU and CH 80x80 mm Pure White	PW Pure White (RAL9010)

### 86 mm UK Back Box

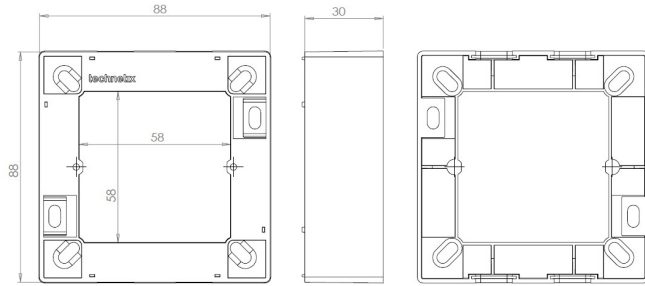


Parameter	
Item Material	ABS
Item Surface	Polished
Screws (2x)	Bright zinc plating (BZP) Mild steel M3 x 8 mm

#### Ordering information

Item name	Article number	Description	Colour
CL50-BBUK-TB	19011719	Click50 back box for UK 86x86 mm Traffic Black	TB Traffic Black (RAL9017)
CL50-BBUK-SW	19011718	Click50 back box for UK 86x86 mm Signal White	SW Signal White (RAL9003)

88 mm CH Back Box

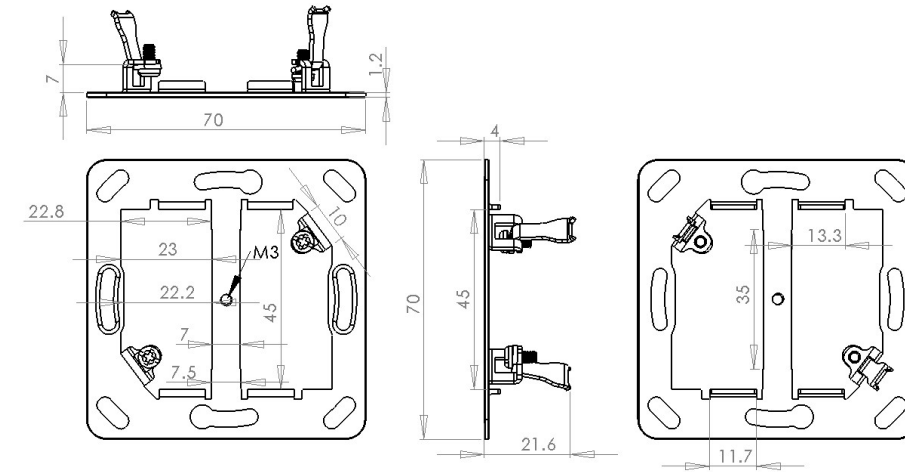


Parameter	
Item Material	ABS
Item Surface	Polished
Screws	Bright zinc plating (BZP) Mild steel M3 x 8mm

Ordering information

Item name	Article number	Description	Colour
CL50-BB88-PW	19011720	Click50 Back-Box for CH 88x88mm Pure White	PW Pure White (RAL9010)

Flush Frame

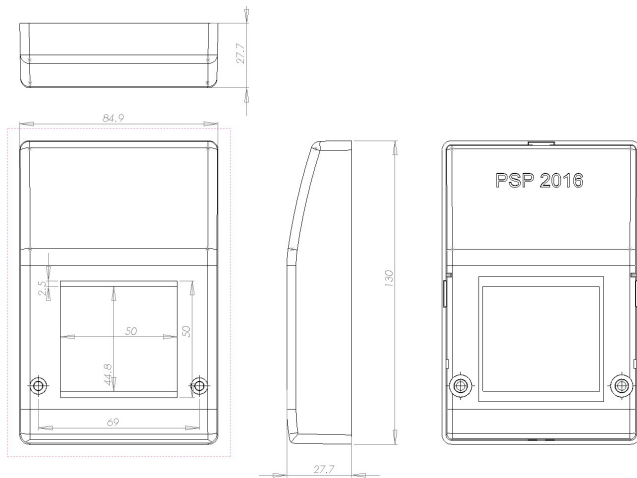


Parameter	
Item Material	Mild Steel, Nickel plated
Screws (2x)	Bright zinc plating (BZP) Mild steel M3 x 8mm

Ordering information

Item name	Article number	Description
CL50-FF	19011733	Click50 flush frame

Extended integrated housing



Parameter	
Item Material	ABS
Item Surface	Polished

Ordering information

Item name	Article number	Description	Colour
CL50-EIF-PW	19011726	Click50 extended integrated Face-Plate Pure White	PW Pure White (RAL9010)
CL50-EIF-TB	19011727	Click50 extended integrated Face-Plate Traffic Black	TB Traffic Black (RAL9017)
CL50-EIF-SW	19011768	Click50 extended integrated Face-Plate Signal White	SW Signal White (RAL9003)

### Configuration Matrix

Represents all available accessories per outlet type.



PW Pure White (RAL9010)	TB Traffic Black (RAL9017)	SW Signal White (RAL9003)	PW Pure White (RAL9010)	SW Signal White (RAL9003)	PW Pure White (RAL9010)

		19011740		19011741		19011767		19011742		19011743		19011744	
		CL50-DGFF-PW		CL50-DGFF-TB		CL50-DGFF-SW		CL50-SGIM-PW		CL50-SGFF-SW		CL50-SGFF-PW	
19011718	CL50-BBUK-SW	86 mm UK Back-Box											
19011719	CL50-BBUK-TB	86 mm UK Back-Box											
19011720	CL50-BB88-PW	88 mm CH Back-Box											
19011721	CL50-BBEU-PW	80 mm EU/CH Back-Box											
19011722	CL50-EXUK-SW	86 mm UK Extender											
19011723	CL50-EXUK-TB	86 mm UK Extender											
19011724	CL50-EX88-PW	88 mm CH Extender											
19011725	CL50-EXEU-PW	80 mm EU/CH Extender											
19011726	CL50-EIF-PW	Extd Face-Plate											
19011727	CL50-EIF-TB	Extd Face-Plate											
19011768	CL50-EIF-SW	Extd Face-Plate											
19011728	CL50-CPUK-SW	86 mm UK Face-Plate											
19011729	CL50-CPUK-TB	86 mm UK Face-Plate											
19011730	CL50-CP88-PW	88 mm CH Face-Plate											
19011731	CL50-CP80-PW	80 mm CH Face-Plate											
19011732	CL50-CPEU-PW	Standard EU Face-Plate											
19011733	CL50-FF	Flush-Frame											
19011745	CL50-SGC	Back-Cover for SGIM											
19011746	CL50-BP-SW	Blank Panel											
19011747	CL50-BP-PW	Blank Panel											
19011748	CL50-BP-TB	Blank Panel											



Back-Box



Extender



Extended Face-Plate



UK Face-Plate



CH Face-Plate



EU Face-Plate



Flush-Frame



Back Cover for SGIM



Blank Panel



SW Signal White (RAL9003)	PW Pure White (RAL9010)	PW Pure White (RAL9010)	SW Signal White (RAL9003)	PW Pure White (RAL9010)	TB Traffic Black (RAL9017)	SW Signal White (RAL9003)	PW Pure White (RAL9010)	TB Traffic Black (RAL9017)










		19011734		19011735		19011736		19011737		19011738		19011739		19011750		19011751		19011752	
		CL50-45DLR-SW		CL50-45DLR-PW		CL50-45DLL-PW		CL50-45DLC-SW		CL50-45DLC-PW		CL50-45DLC-TB		CL50-45SLC-SW		CL50-45SLC-PW		CL50-45SLC-TB	

Ordering Information




















**RF Units**

Item name	Article number	Description
CL50-DGFF-PW 	19011740	Click50 2 GHz Double Galv Iso, flylead, 45° F-F pure white
CL50-DGFF-TB 	19011741	Click50 2 GHz Double Galv Iso, flylead, 45° F-F traffic black
CL50-DGFF-SW 	19011767	Click50 2 GHz Double Galv Iso, flylead, 45° F-F signal white
CL50-SGIM-PW 	19011742	Click50 2 GHz Single Galv Iso, clamp, 90° IEC-M pure white
CL50-SGFF-SW 	19011743	Click50 2 GHz Single Galv Iso, clamp, 90° F-F signal white
CL50-SGFF-PW 	19011744	Click50 2 GHz Single Galv Iso, clamp, 90° F-F pure white

**Optical Units**

Item name	Article number	Description
CL50-45DLR-SW 	19011734	Click50 Fibre Plug-In 45° Dual LC FT right signal white
CL50-45DLR-PW 	19011735	Click50 Fibre Plug-In 45° Dual LC FT right pure white
CL50-45DLL-PW 	19011736	Click50 Fibre Plug-In 45° Dual LC FT left pure white
CL50-45DLC-SW 	19011737	Click50 Fibre Plug-In 45° Dual LC compact FT signal white
CL50-45DLC-PW 	19011738	Click50 Fibre Plug-In 45° Dual LC compact FT pure white
CL50-45DLC-TB 	19011739	Click50 Fibre Plug-In 45° Dual LC compact FT traffic black
CL50-45SLC-SW 	19011750	Click50 Fibre Plug-In 45° Simplex LC compact FT signal white
CL50-45SLC-PW 	19011751	Click50 Fibre Plug-In 45° Simplex LC compact FT pure white
CL50-45SLC-TB 	19011752	Click50 Fibre Plug-In 45° Simplex LC compact FT traffic black

**Accessories**

Item name	Article number	Description
CL50-BBUK-SW 	19011718	Click50 back box for UK 86x86 mm Signal White
CL50-BBUK-TB 	19011719	Click50 back box for UK 86x86 mm Traffic Black
CL50-BB88-PW 	19011720	Click50 back box for CH 88x88 mm Pure White
CL50-BBEU-PW 	19011721	Click50 back box for EU and CH 80x80 mm Pure White
CL50-EXUK-SW 	19011722	Click50 extender for UK 86x86 mm Signal White
CL50-EXUK-TB 	19011723	Click50 extender for UK 86x86 mm Traffic Black
CL50-EX88-PW 	19011724	Click50 extender for CH 88x88 mm Pure White
CL50-EXEU-PW 	19011725	Click50 extender for EU and CH 80x80 mm Pure White
CL50-EIF-PW 	19011726	Click50 extended integrated faceplate Pure White
CL50-EIF-TB 	19011727	Click50 extended integrated faceplate Traffic Black
CL50-CPUK-SW 	19011728	Click50 cover/faceplate for UK 86x86 mm Signal White
CL50-CPUK-TB 	19011729	Click50 cover/faceplate for UK 86x86 mm Traffic Black
CL50-CP88-PW 	19011730	Click50 cover/faceplate for CH 88x88 mm Pure White
CL50-CP80-PW 	19011731	Click50 cover/faceplate for CH 80x80 mm Pure White
CL50-CPEU-PW 	19011732	Click50 cover/faceplate for EU Pure White
CL50-FF	19011733	Click50 flush frame
CL50-SGC	19011745	Click50 back cover for Single Galvanic Isolator
CL50-BP-SW 	19011746	Click50 blank panel (single-slot) Signal White
CL50-BP-PW 	19011747	Click50 blank panel (single-slot) Pure White
CL50-BP-TB 	19011748	Click50 blank panel (single-slot) Traffic Black
CL50-EIF-SW 	19011768	Click50 extended integrated faceplate Signal White



**technetix**

---