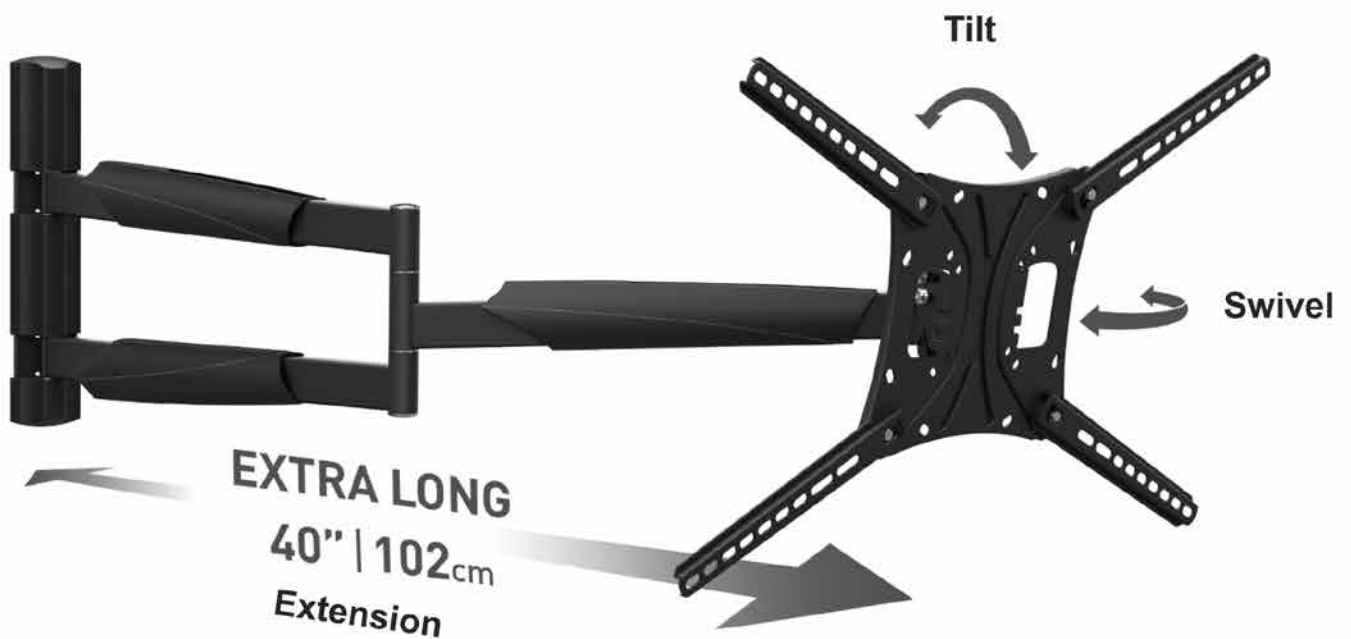


# Assembly instructions and user manual

## Full Motion TV Wall Mount with extra long arm



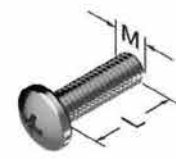
TV Size
13"-86"
33cm-218cm

TV Weight
US <sup>Max</sup> EU
132lbs   60kg



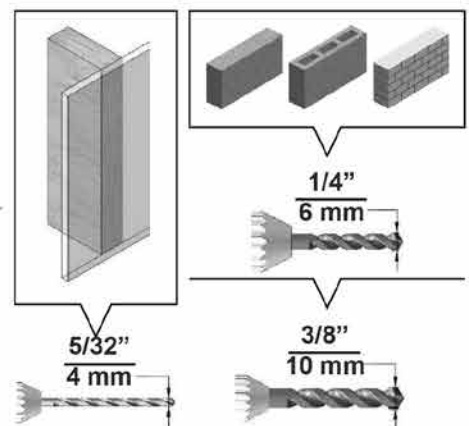
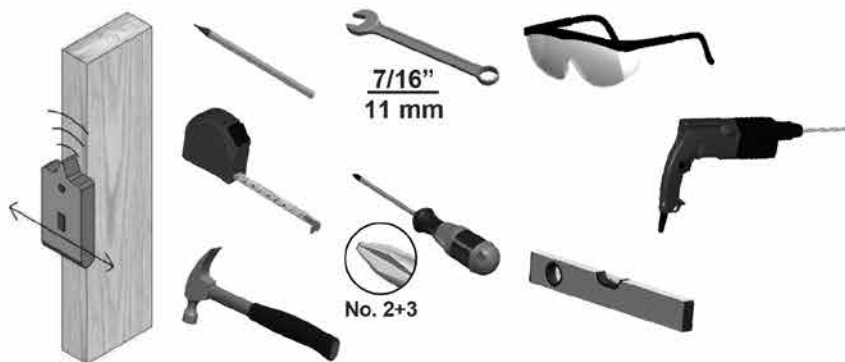
Safety instructions and installation warnings (provided separately)  
must be read in full, prior to assembly.

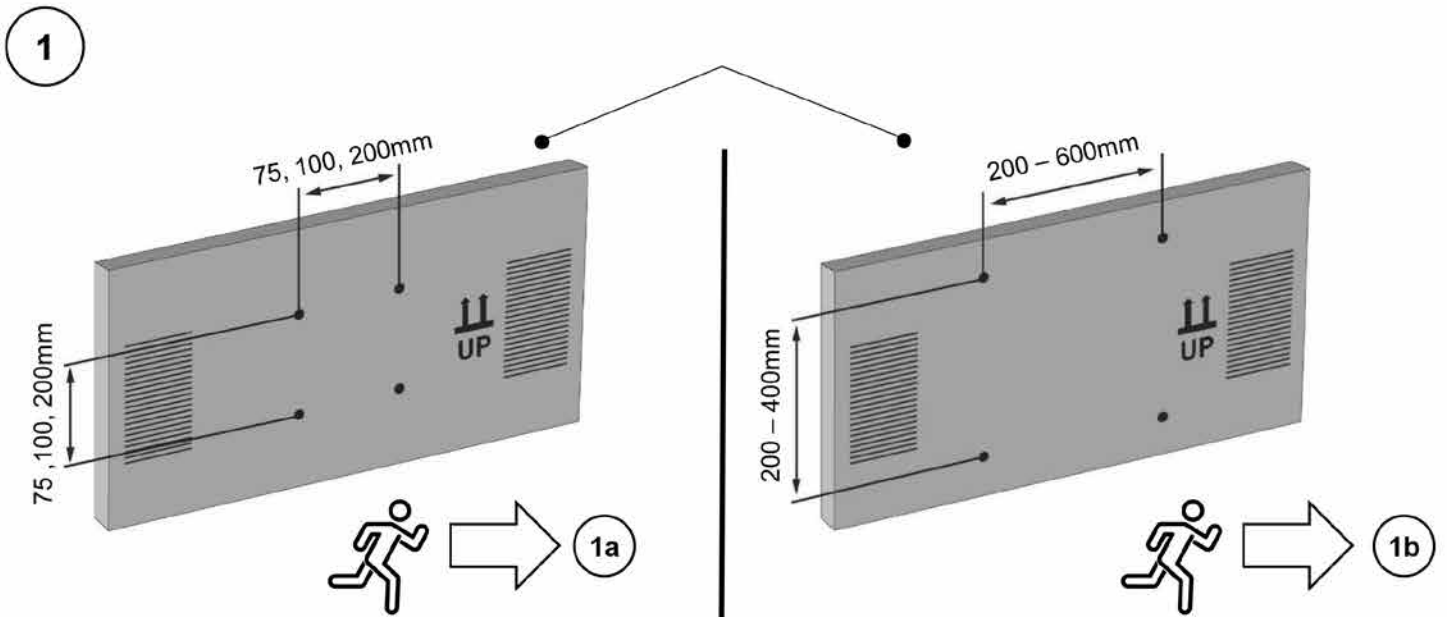
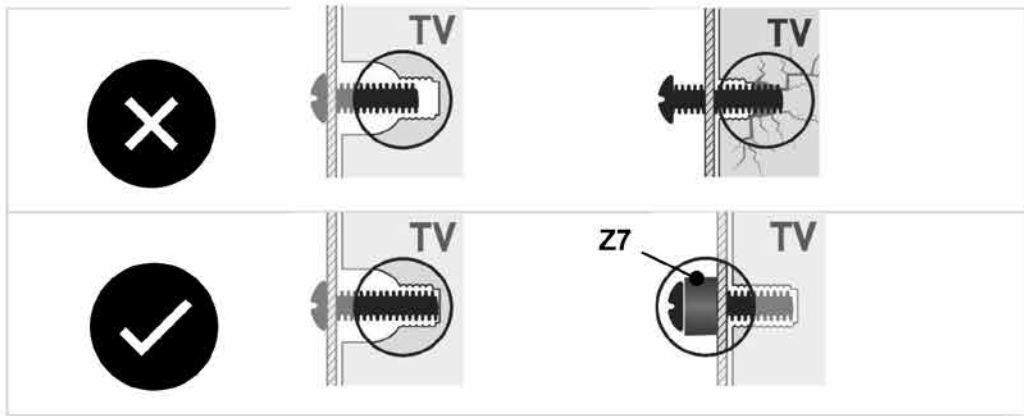
**Included parts** not to scale



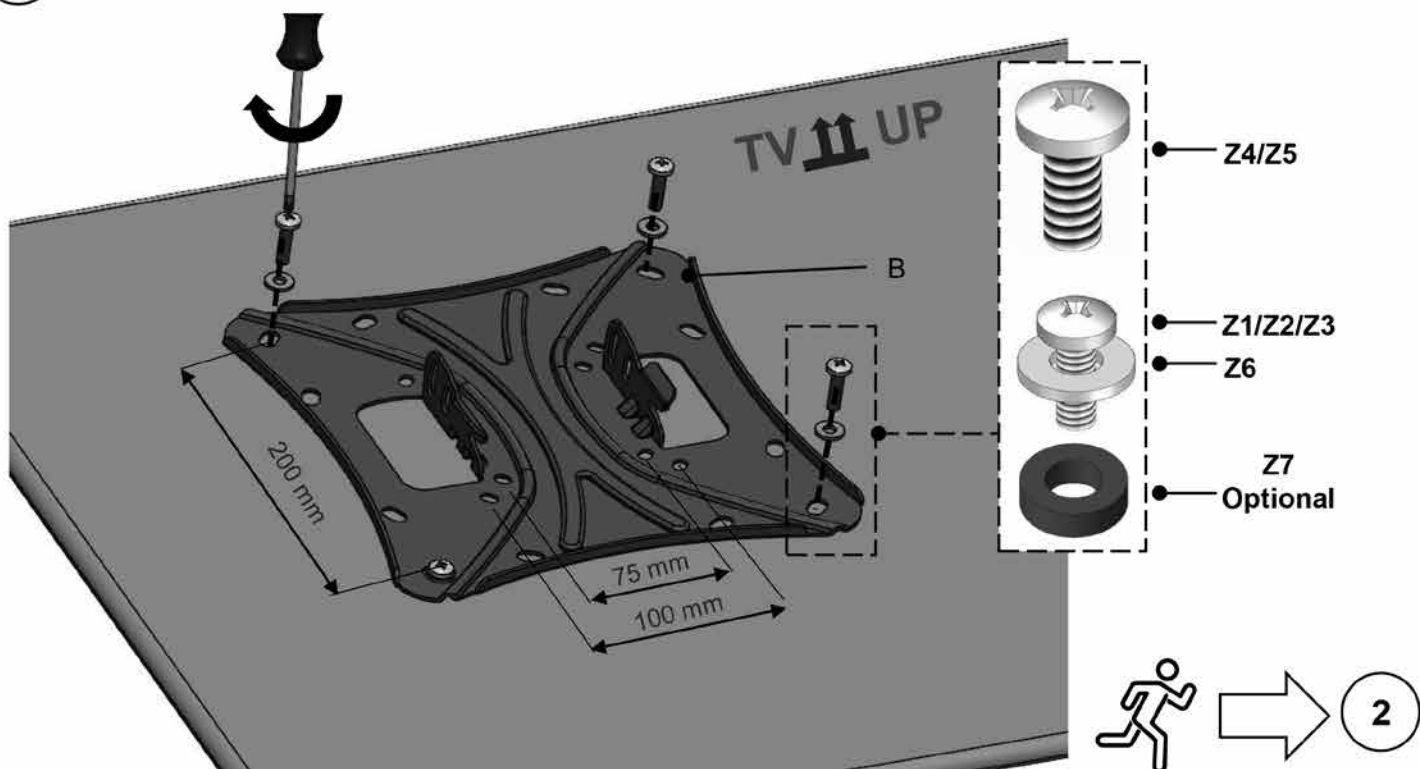
#	M	L mm	L inch	pcs
Z1	4	20	$25/32$	4
Z2	6	16	$5/8$	4
Z3	6	25	1	4
Z4	8	25	1	4
Z5	8	45	$1\ 25/32$	4

**Required tools**



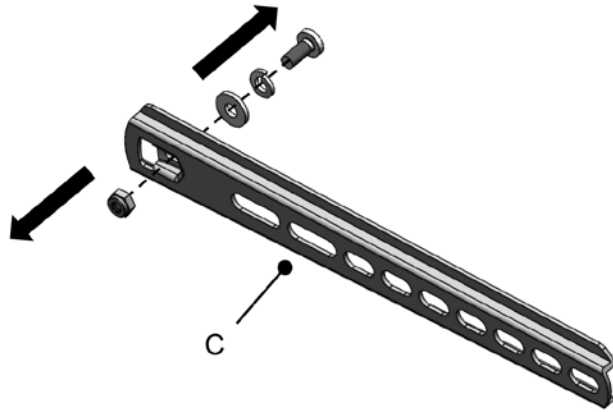


**1a** 75x75 mm - 200X200 mm.



**1b** 200x200 mm – 400x600 mm:

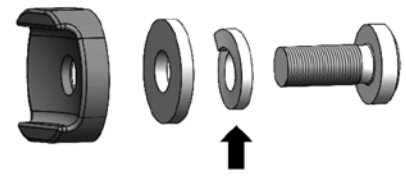
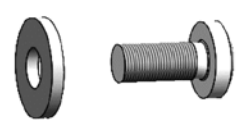
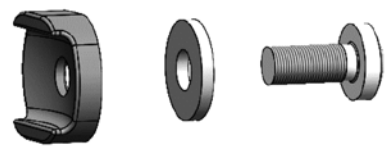
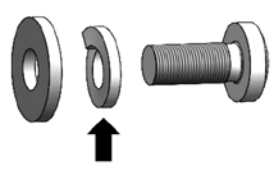
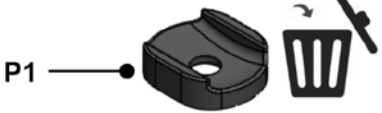
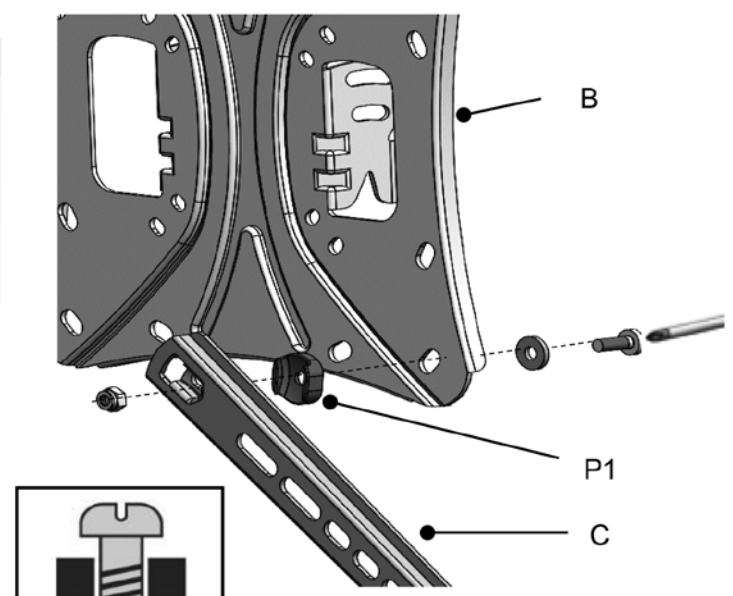
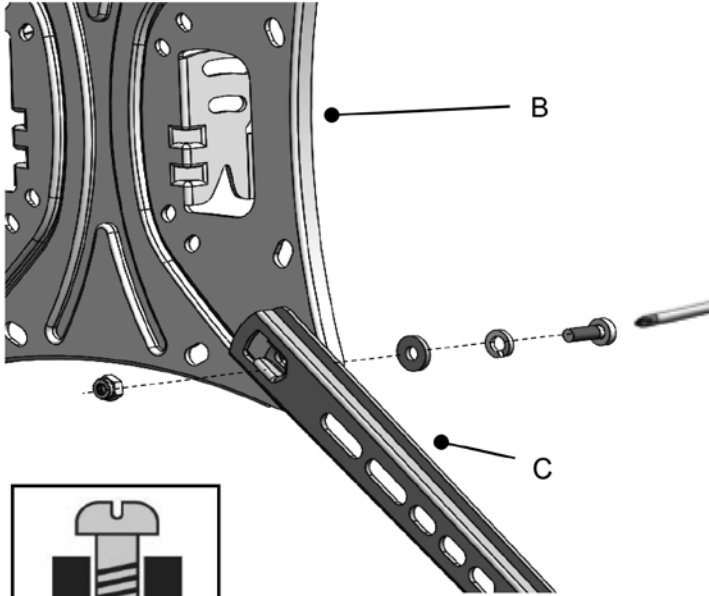
**A**



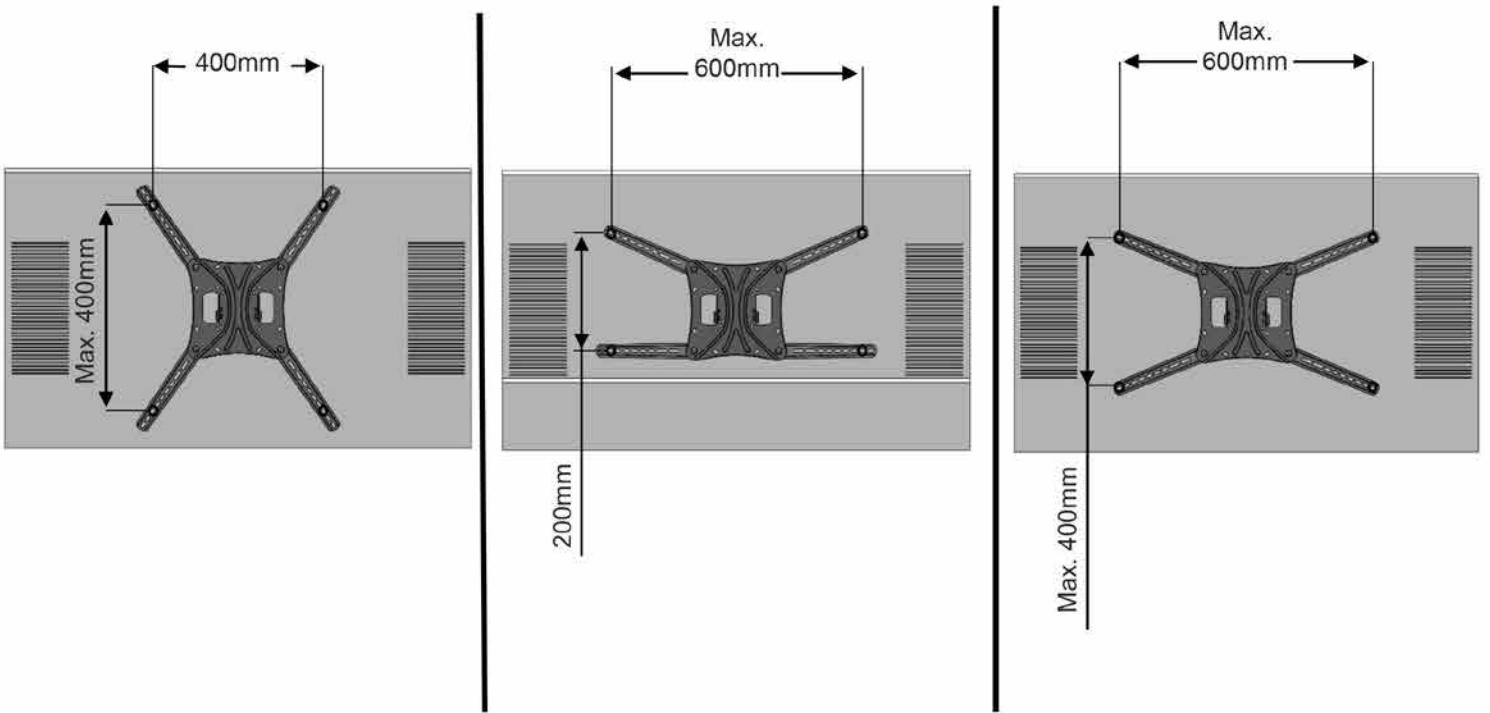
**B**

Flat TV

Curved TV

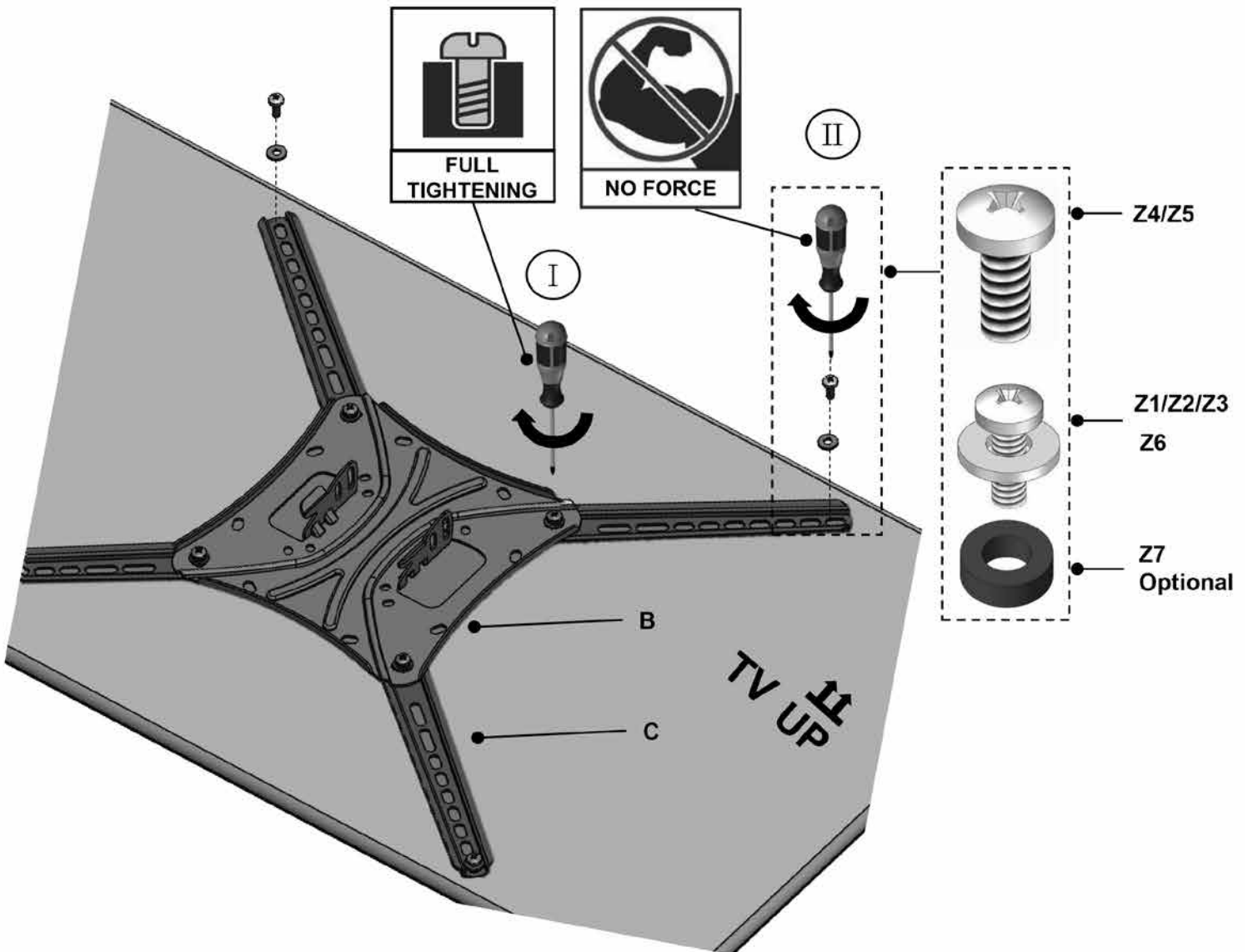


Position the adaptors according to your TV's hole pattern.



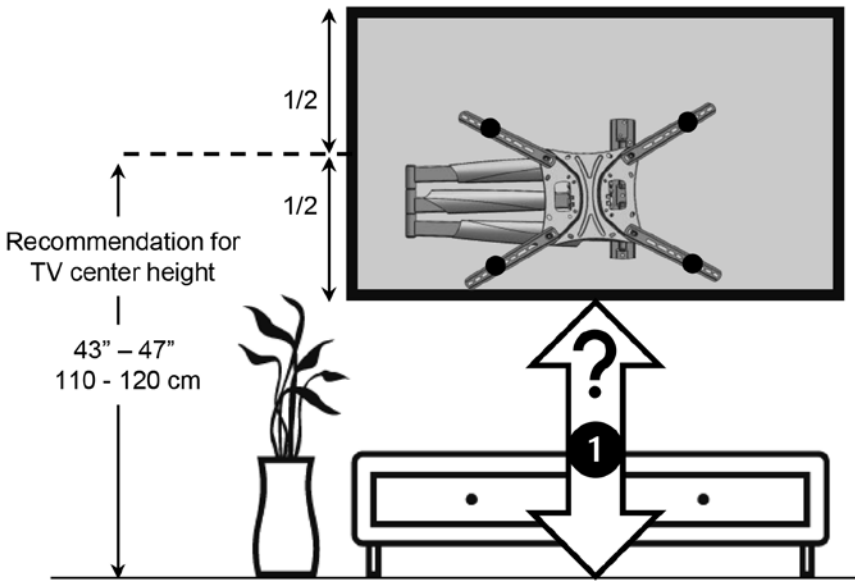
For more positioning options turn to last page

C

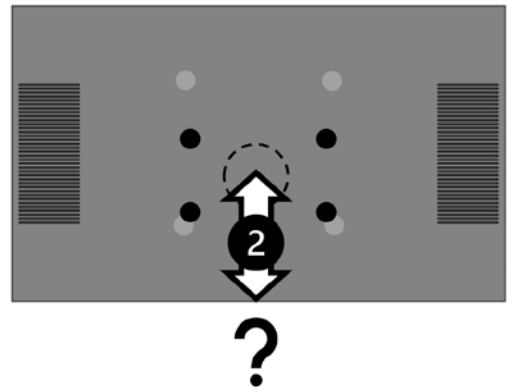


2

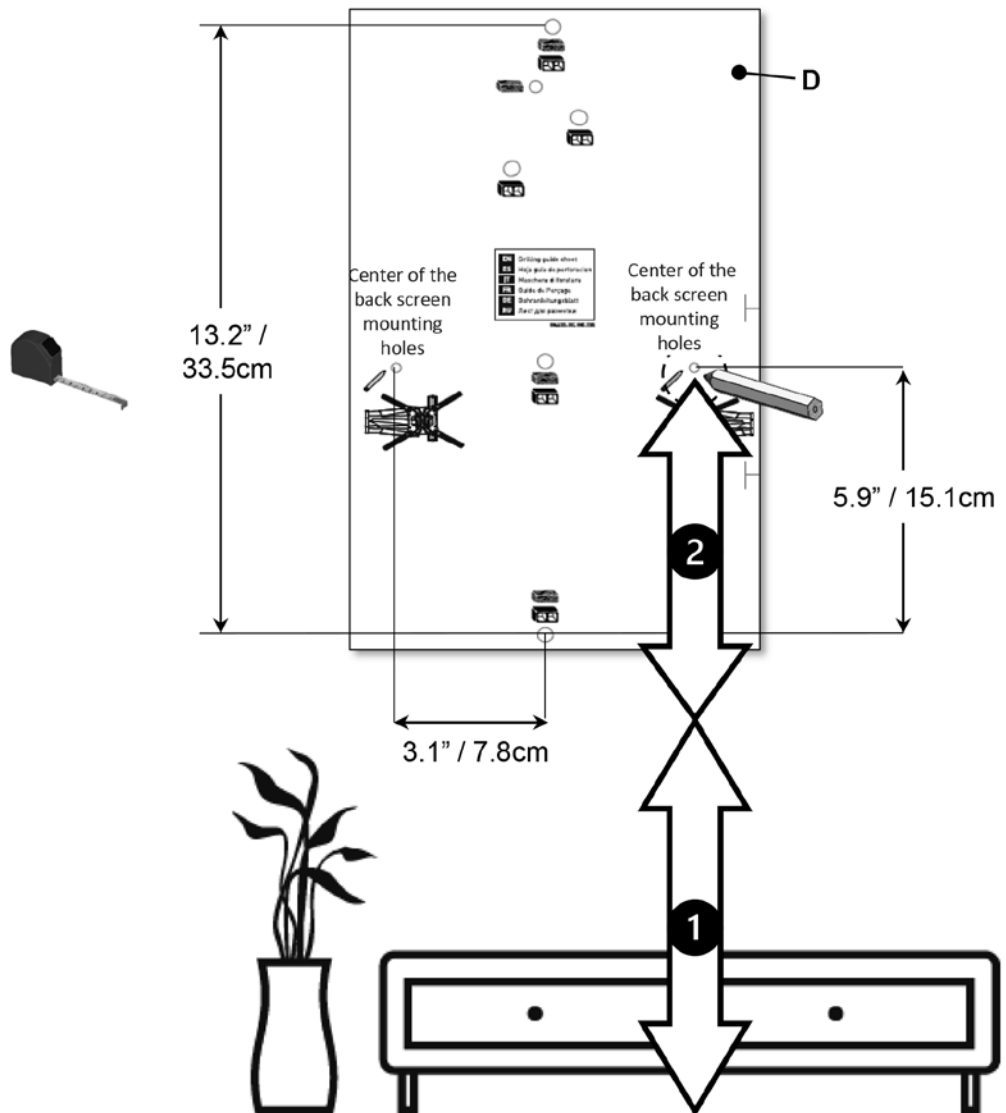
2a



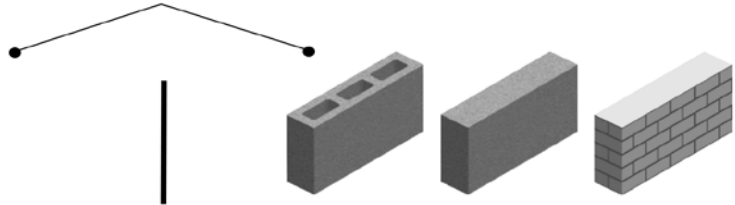
2b



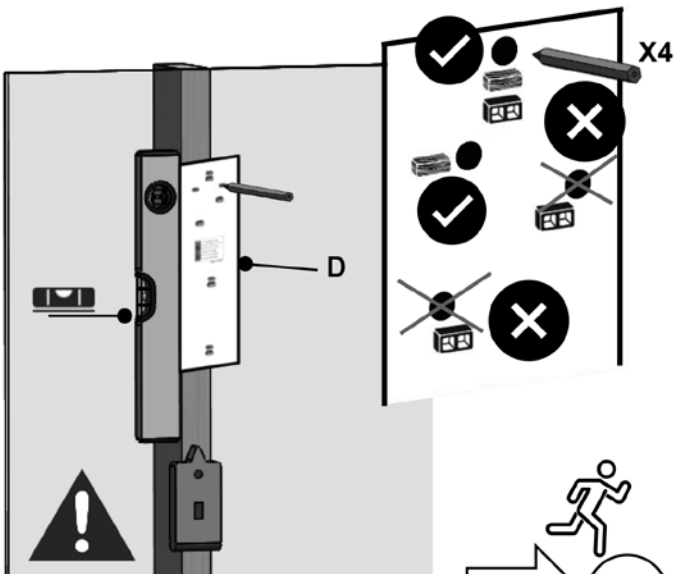
2c



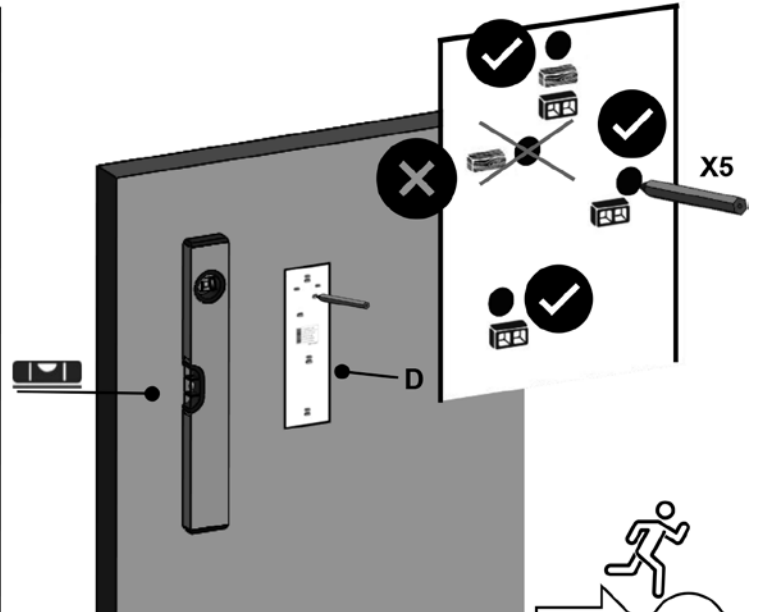
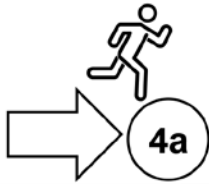
3



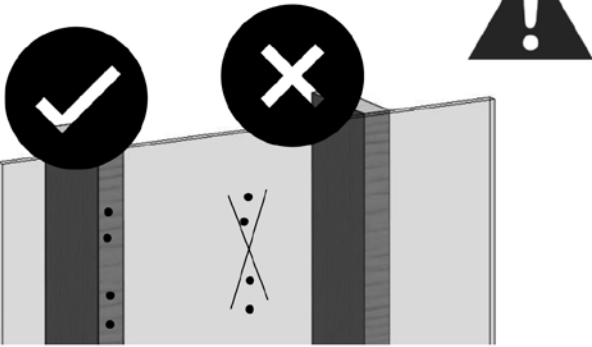
4



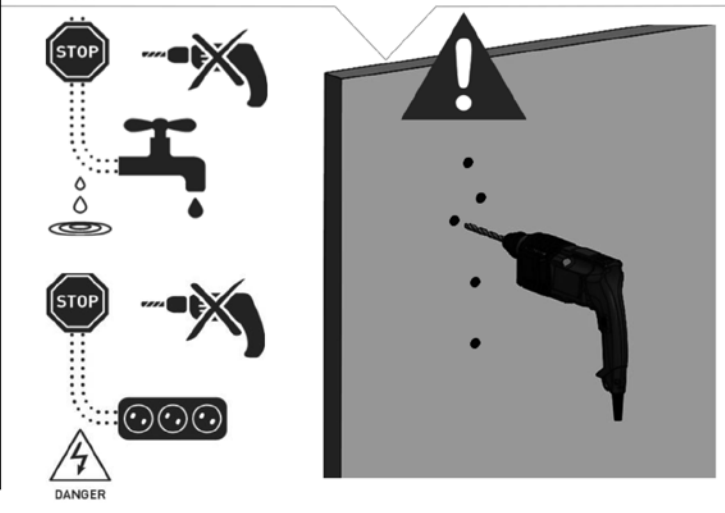
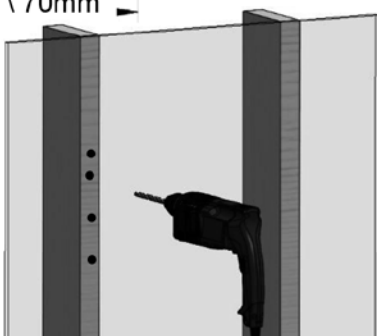
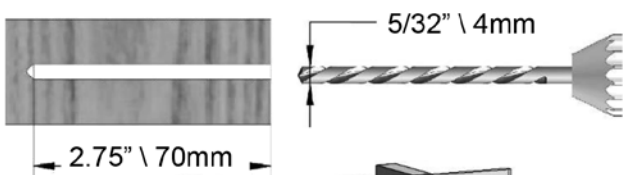
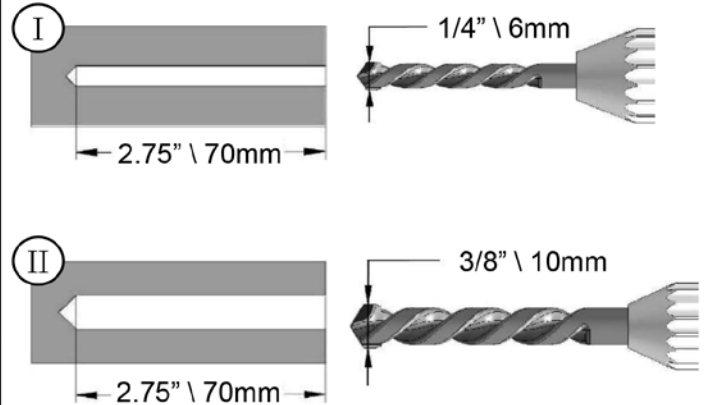
Use a stud finder



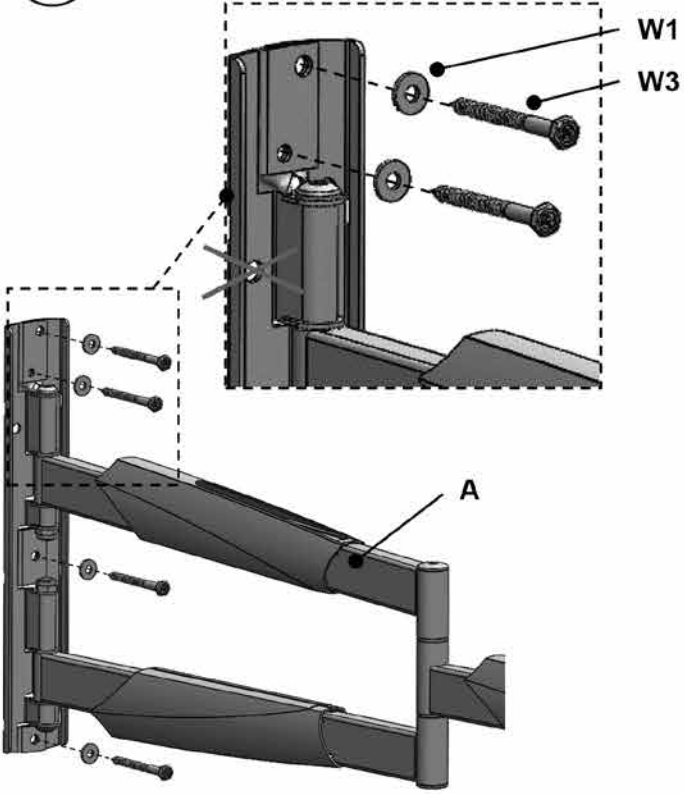
4a



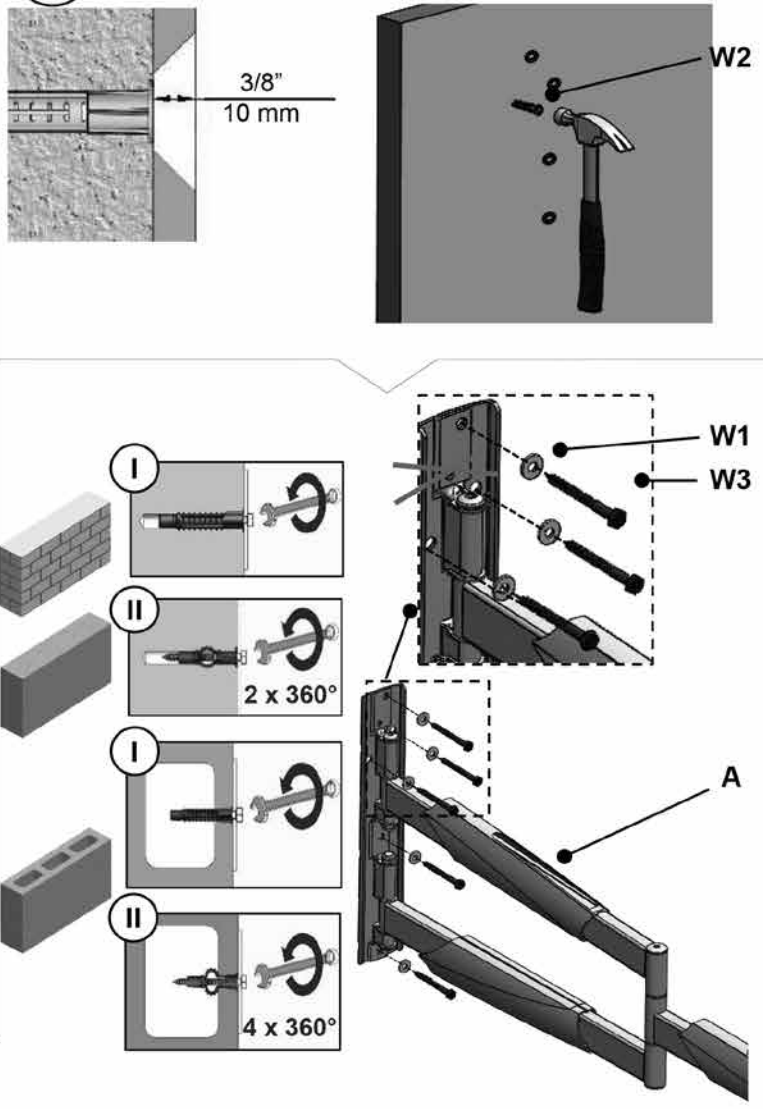
4b



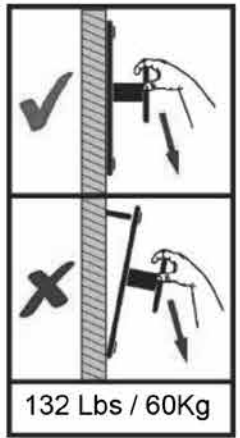
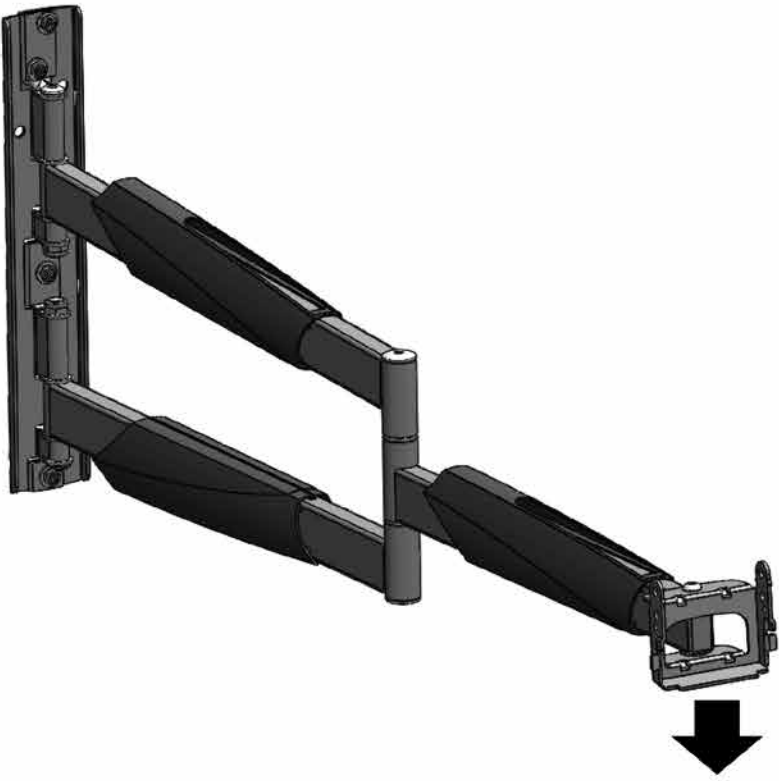
4a



4b

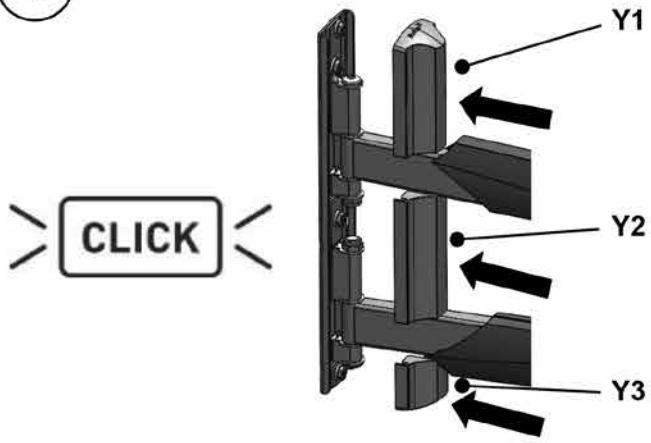


5

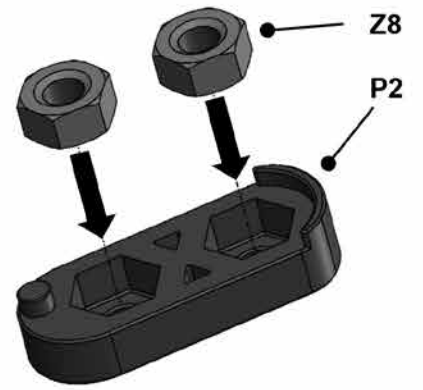




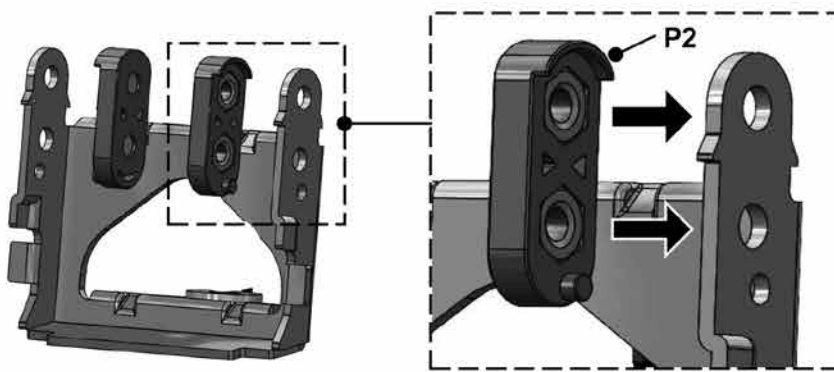
6



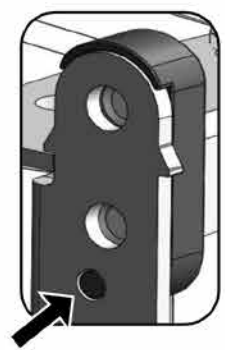
7



8 I

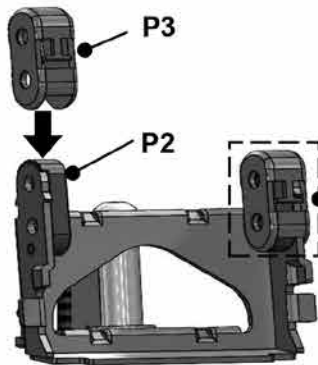


II

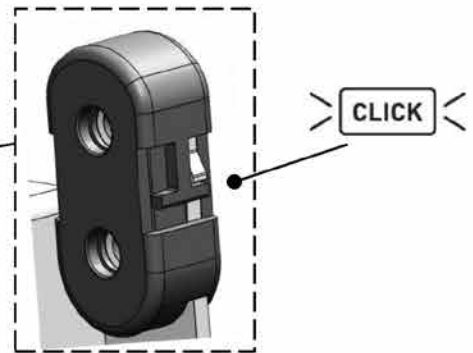


9

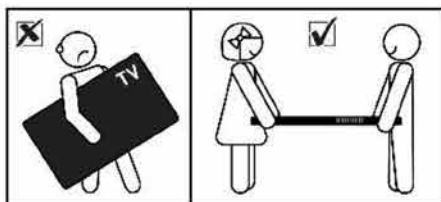
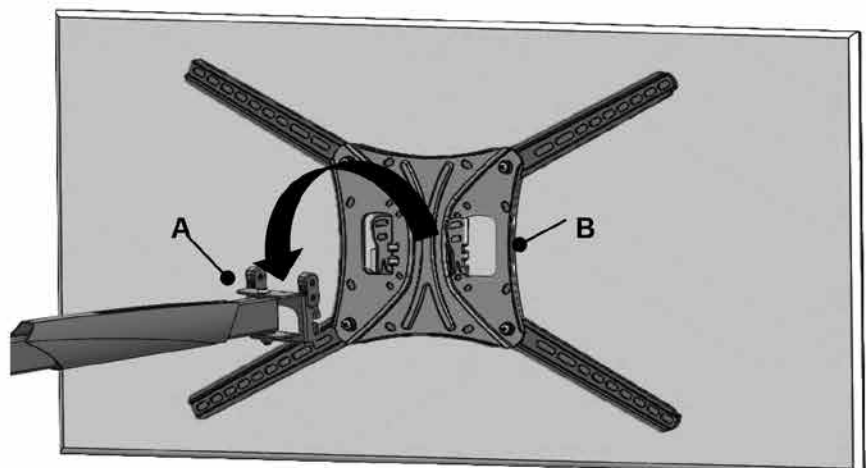
I

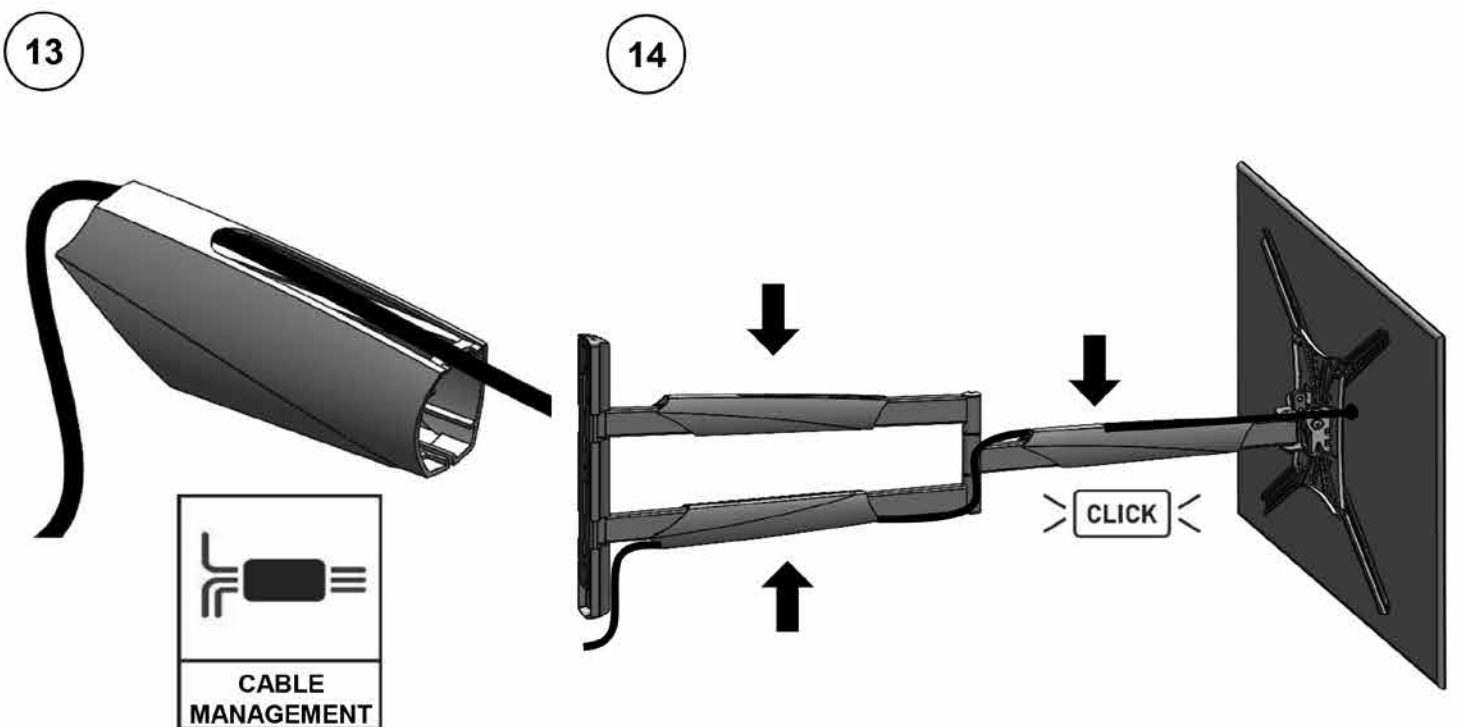
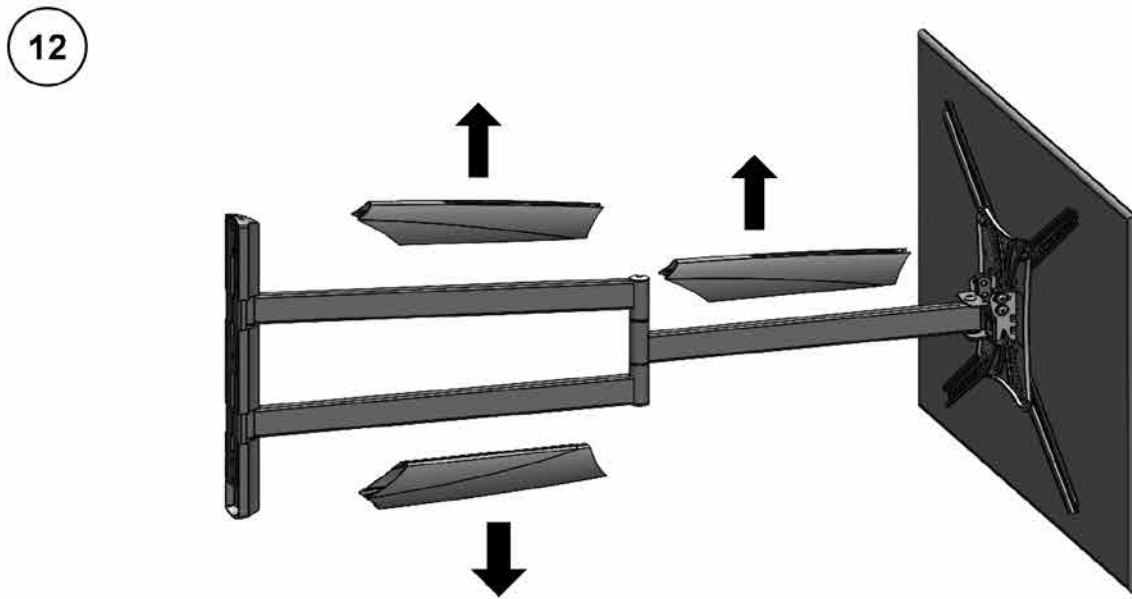
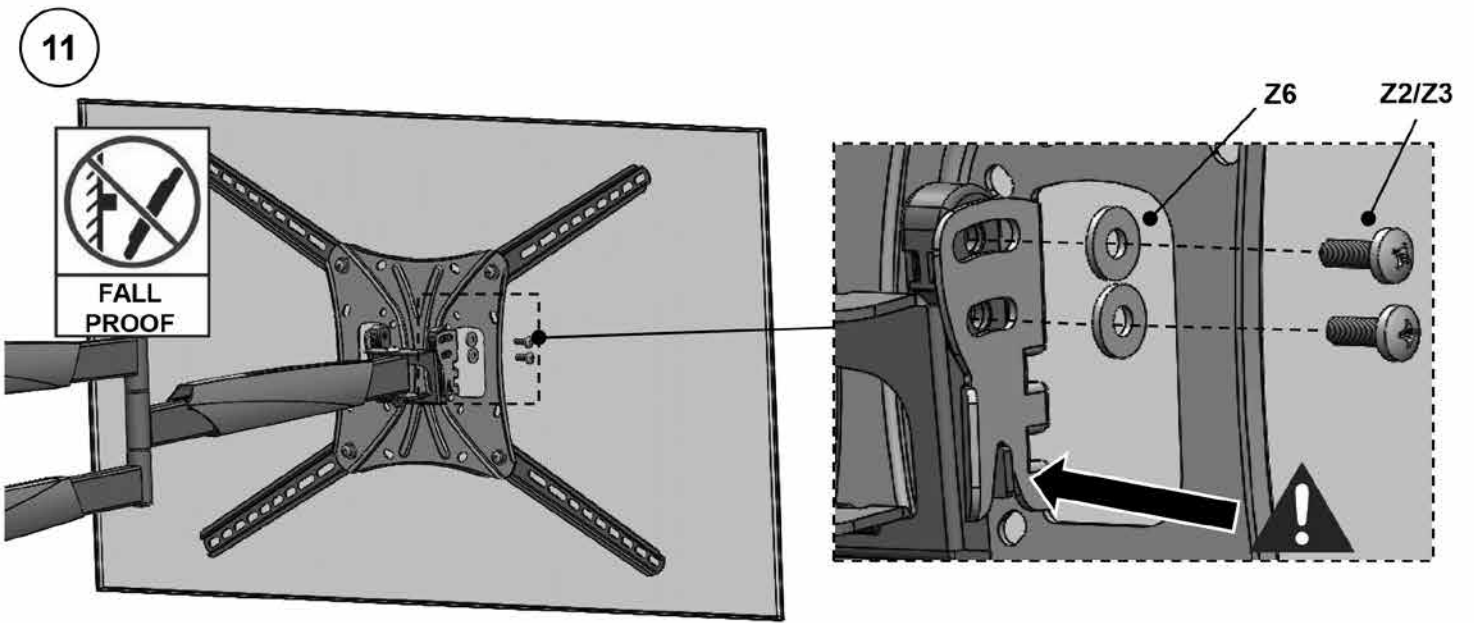


II

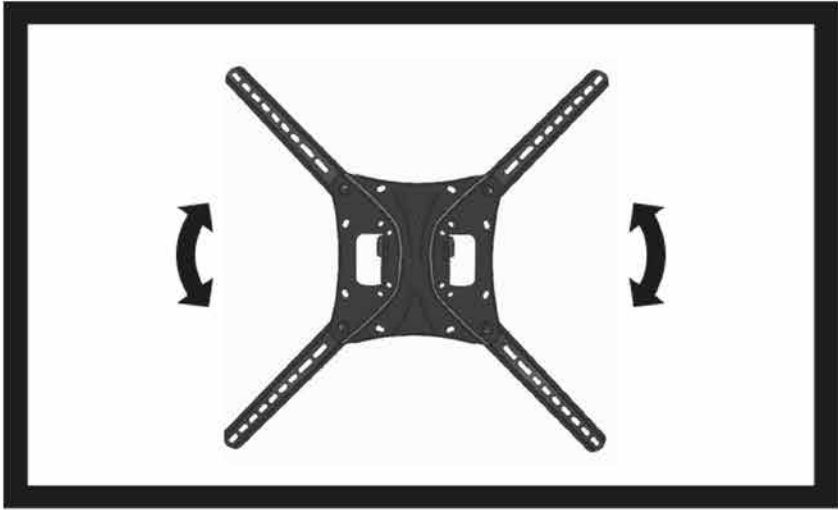


10

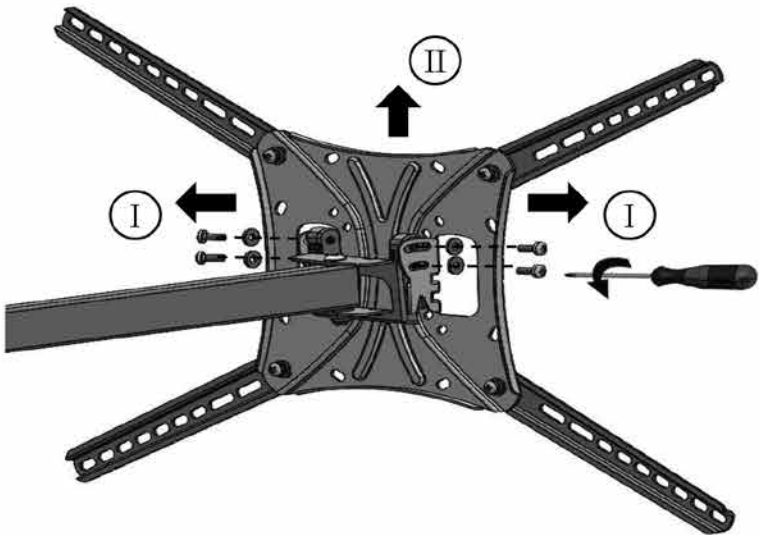
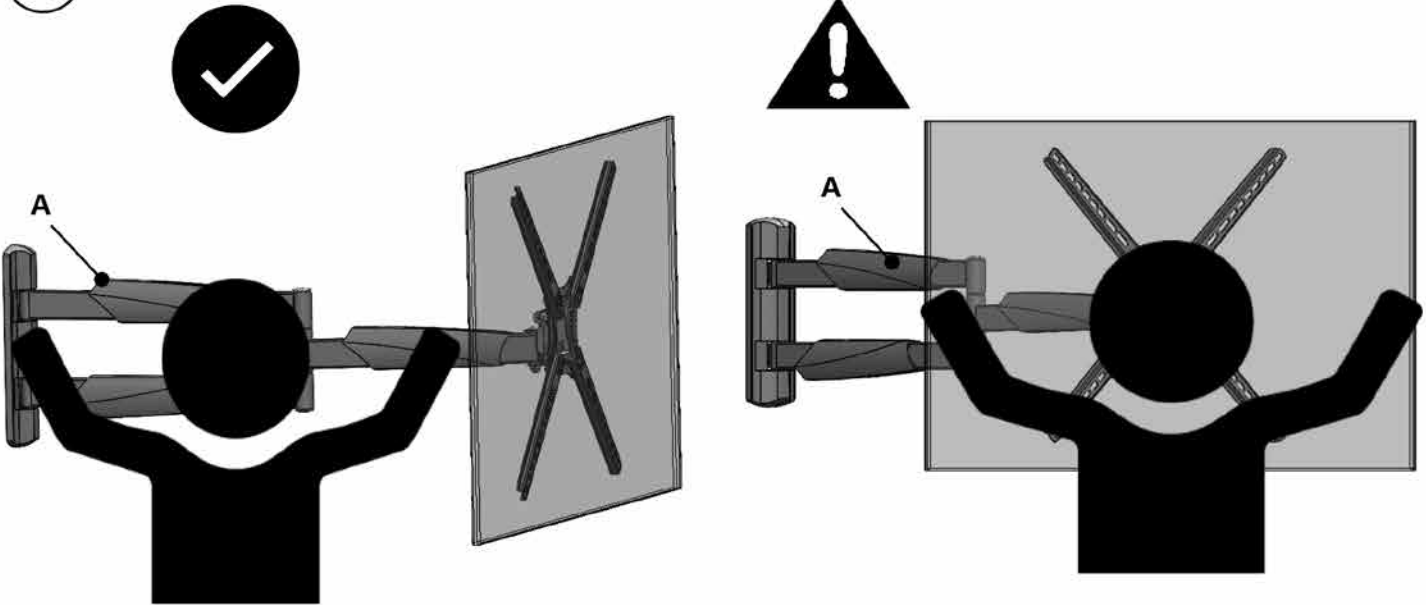




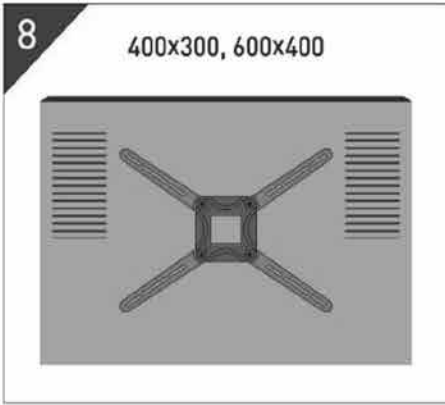
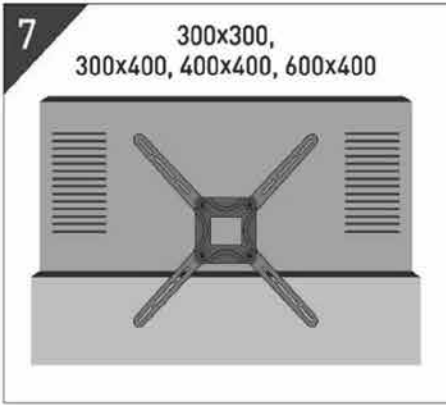
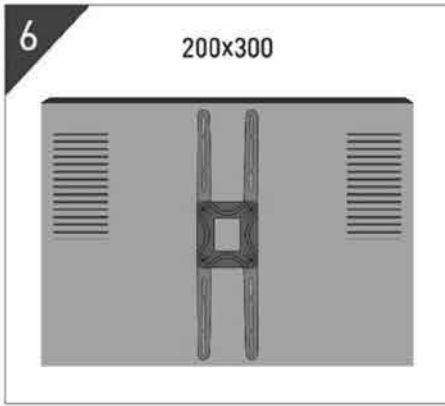
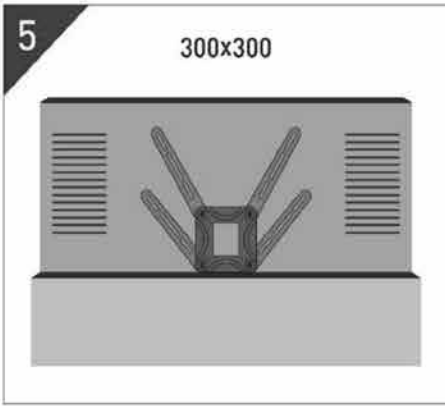
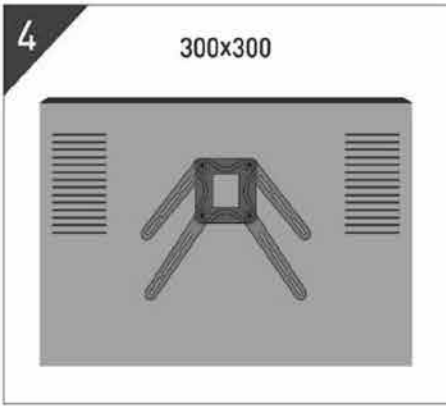
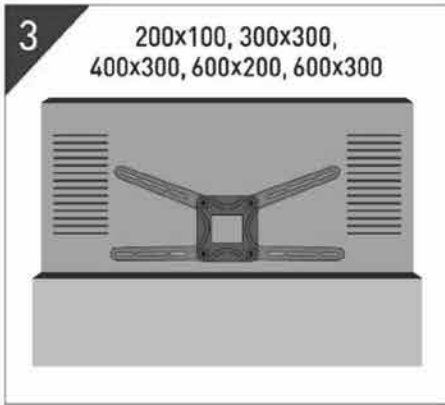
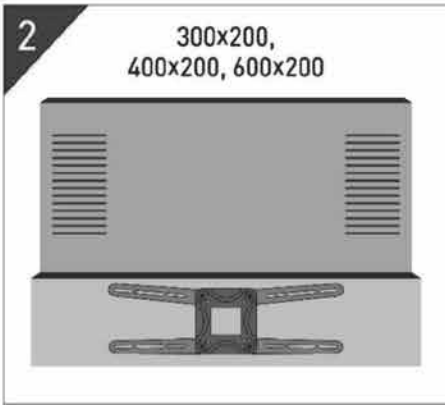
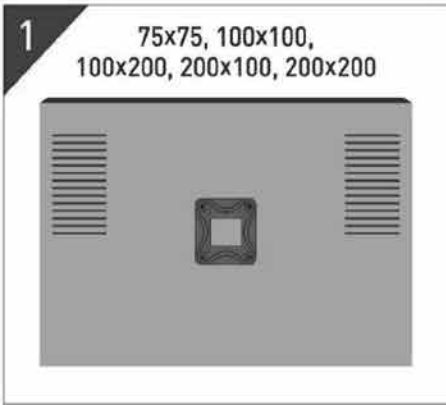
15



16



# BACKSCREEN CONNECTION POSITIONING OPTIONS



**Nedis BV**  
De Tweeling 28, 5215 MC 's-Hertogenbosch  
The Netherlands, [service@nedis.com](mailto:service@nedis.com)

