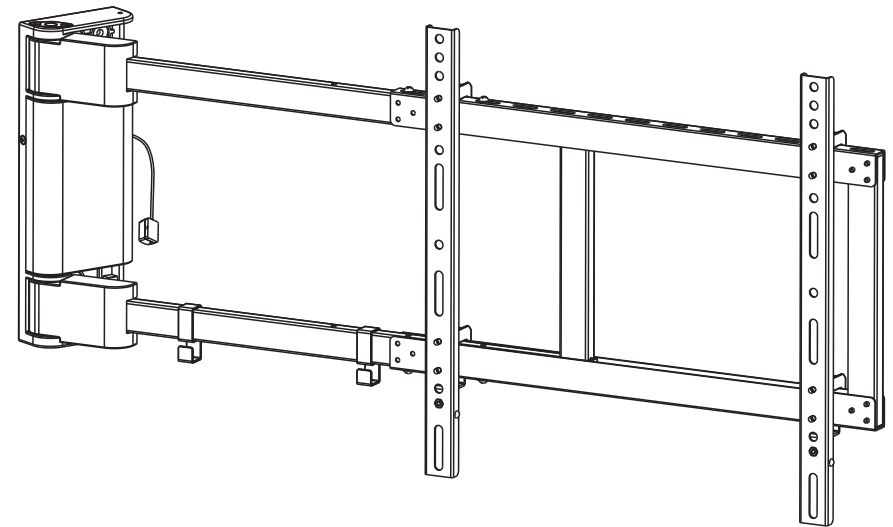


nedis

TVWM5830BK INSTALLATION MANUAL



CAUTION: DO NOT EXCEED
RATED LISTED WEIGHT. SERIOUS
INJURY OR PROPERTY DAMAGE
MAY OCCUR!

TVWM5830BK



200x200
300x300
400x200
400x400

60"
MAX



40kg
(88lbs)
RATED

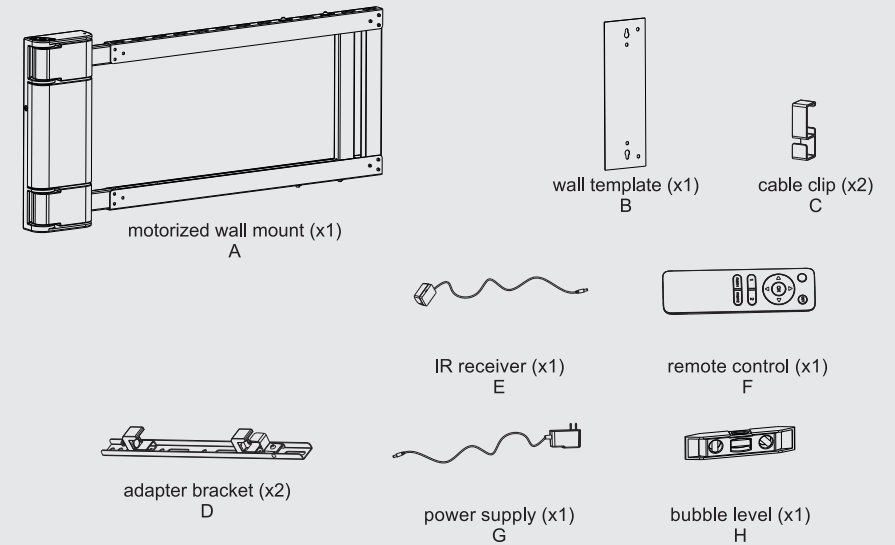
NOTE: Read the entire instruction manual before you start installation and assembly.

WARNING

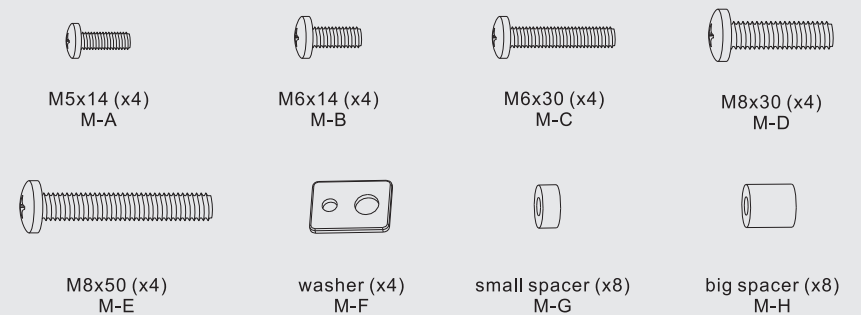
- Do not begin the installation until you have read and understood all the instructions and warnings contained in this installation sheet. If you have any questions regarding any of the instructions or warnings, please contact your local distributor.
- This mounting bracket was designed to be installed and utilised ONLY as specified in this manual. Improper installation of this product may cause damage or serious injury.
- This product should only be installed by someone with good mechanical ability who has basic building experience and fully understands this manual.
- Make sure that the supporting surface will safely support the combined weight of the equipment and all attached hardware and components.
- If mounting to wood wall studs, make sure that mounting screws are anchored into the center of the studs. The use of a stud finder is highly recommended.
- Always use an assistant or mechanical lifting equipment to safely lift and position the equipment.
- Tighten screws firmly, but do not over tighten. Over tightening can cause damage to the items, This greatly reduces their holding power.
- This product is intended for indoor use only. Using this product outdoors could lead to product failure and personal injury.
- Please do not disassemble or change the electronic components of the product without authorization.

Component Checklist

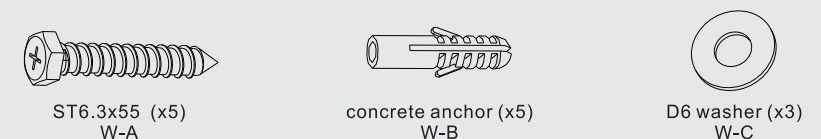
IMPORTANT: Ensure that you have received all parts according to the component checklist prior to installation. If any parts are missing or faulty, telephone your local distributor for a replacement.



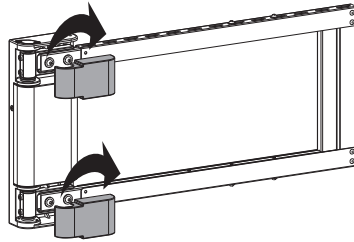
Package M



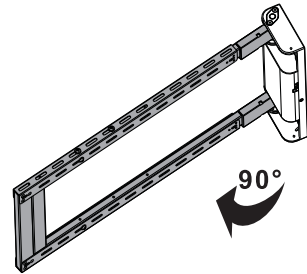
Package W



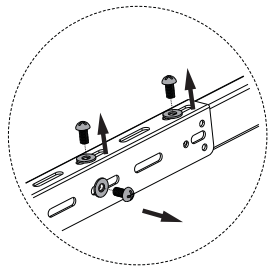
1. Separating the Decorative Covers from the Wall Mount



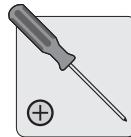
2. Opening Hard the Swing Arm



3. Position the Swing Arm

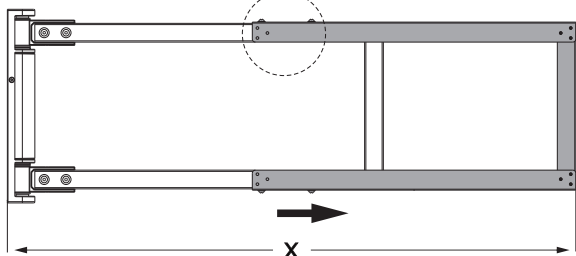


Remove the screws and washers using the proper phillips screwdriver.

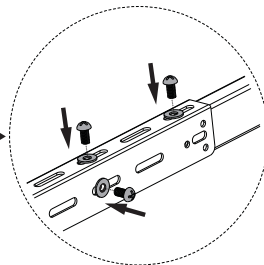


The swing arm needs to be adjusted according to the size of TV.

$X = L/2 + 260(\text{mm})$
L: The length of TV

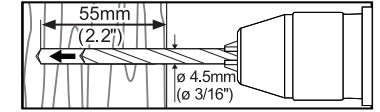
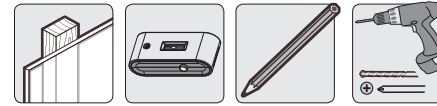


$X = TV(L)/2 + 260\text{mm}$

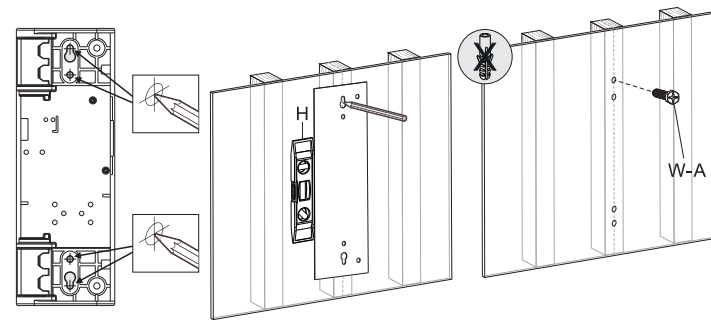


Reinstalling the screws and washers to secure the swing arm after finishing the adjustment.

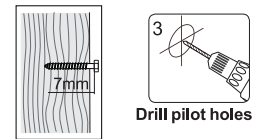
4a. For Wood Stud Wall Mounting



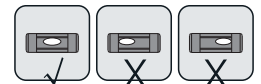
Forward installation



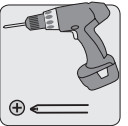
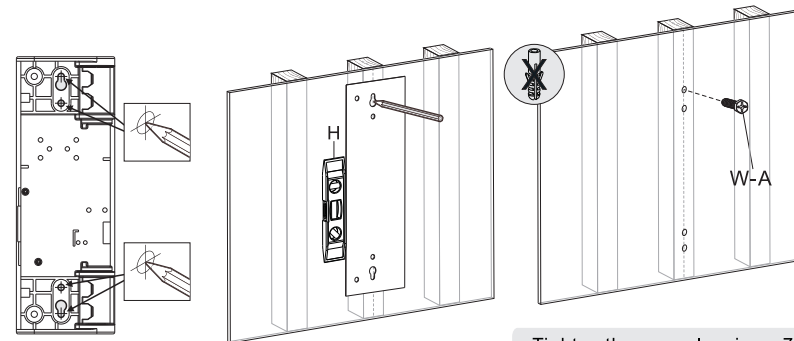
Find and mark the exact location of mounting holes



Drill pilot holes



Reverse installation

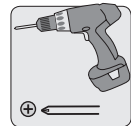
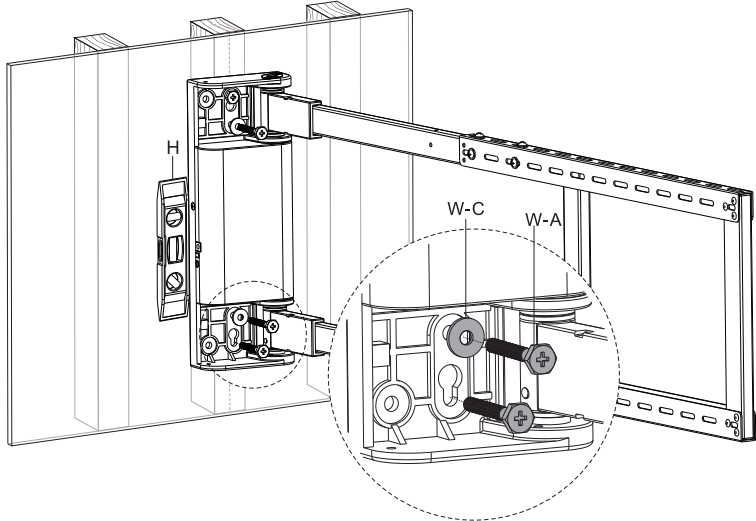
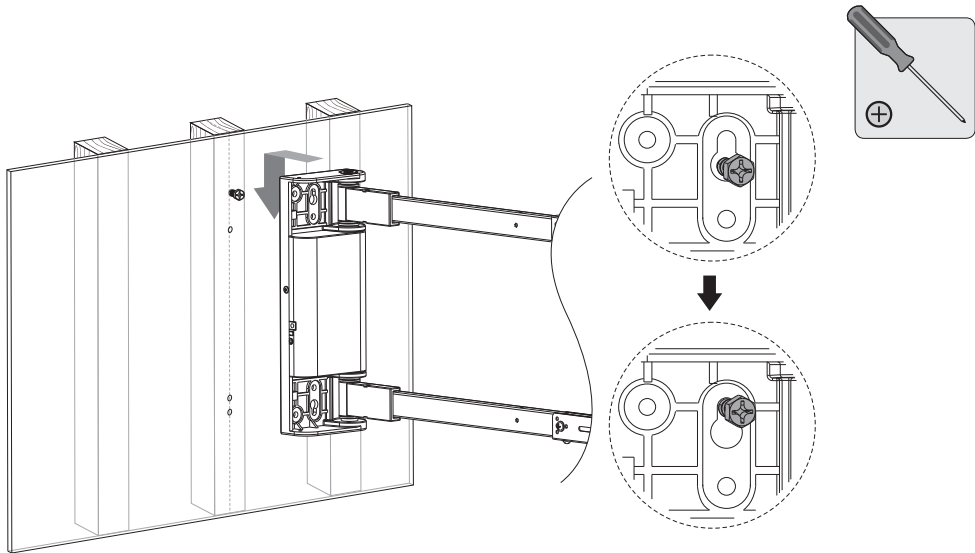


Tighten the screw leaving a 7mm space from the wall.

! WARNING

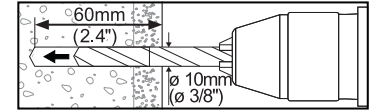
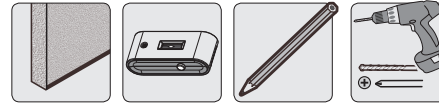
- Make sure that mounting screws are anchored into the center of the studs. The use of a stud finder is highly recommended.
- Installers are responsible to provide hardware for other types of mounting situations.
- Installers must verify that the supporting surface will safely support the combined weight of the equipment and all attached hardware and components.

4a. For Solid Brick and Concrete Mounting

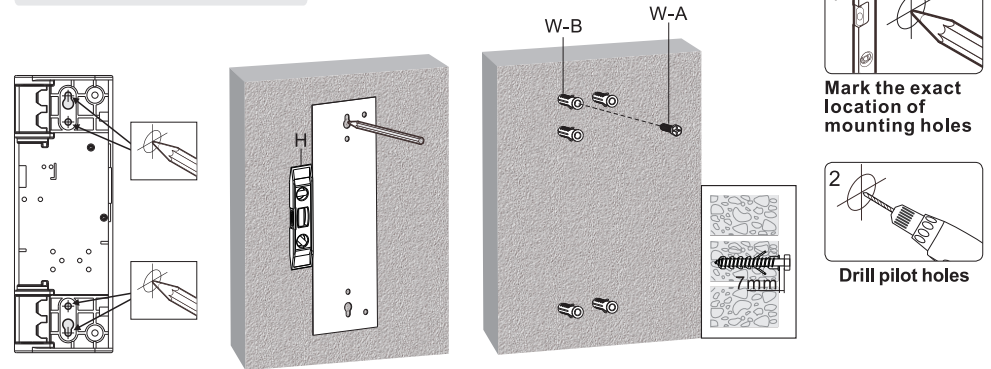


Screw the wall mount onto the wall

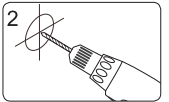
4b. For Solid Brick and Concrete Mounting



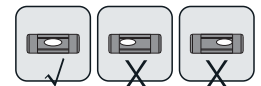
Forward installation



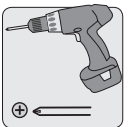
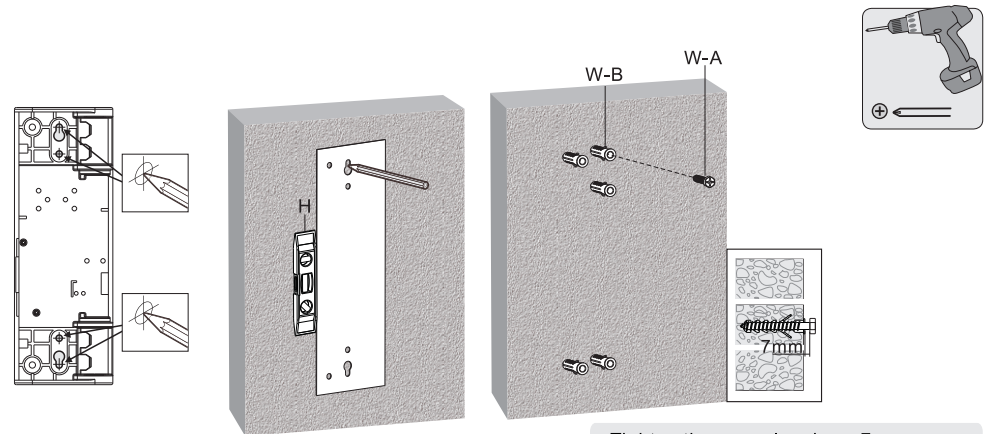
1
Mark the exact location of mounting holes



2
Drill pilot holes



Reverse installation

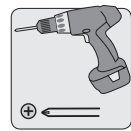
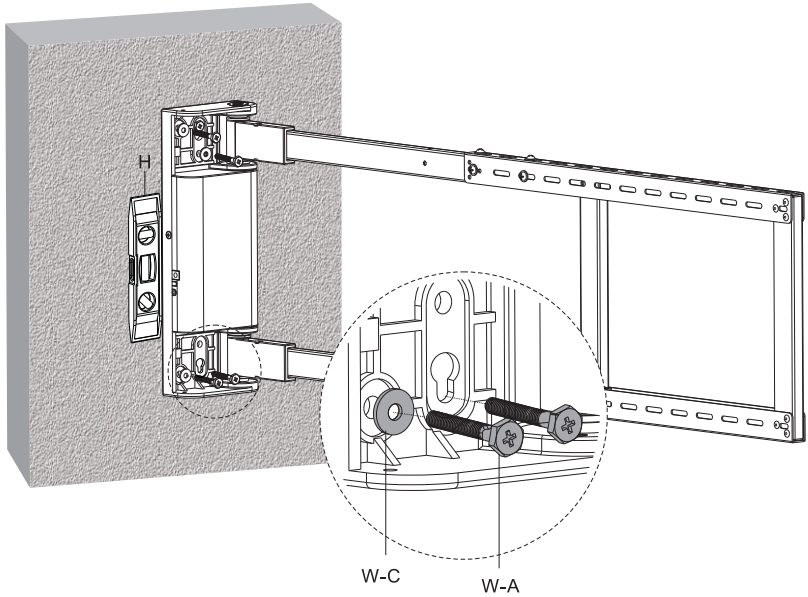
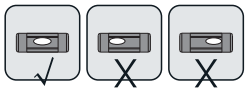
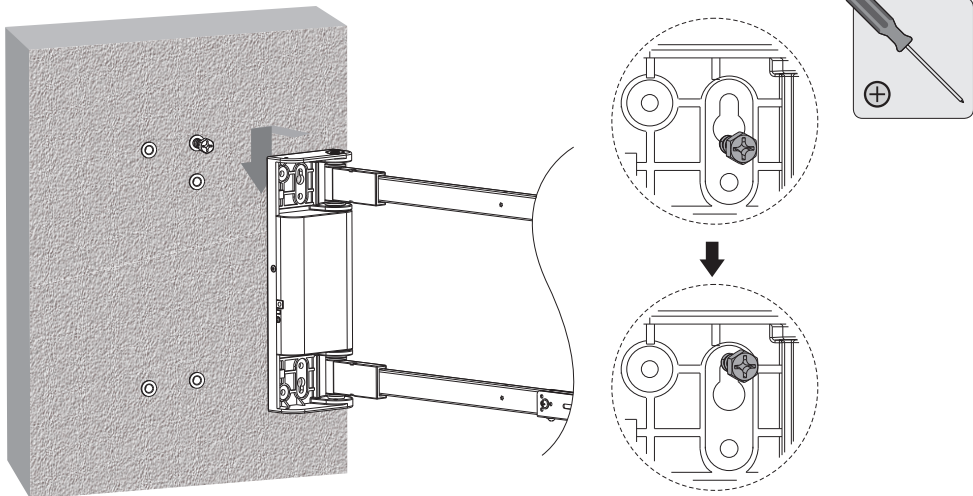


Tighten the screw leaving a 7mm space from the wall.

⚠ WARNING

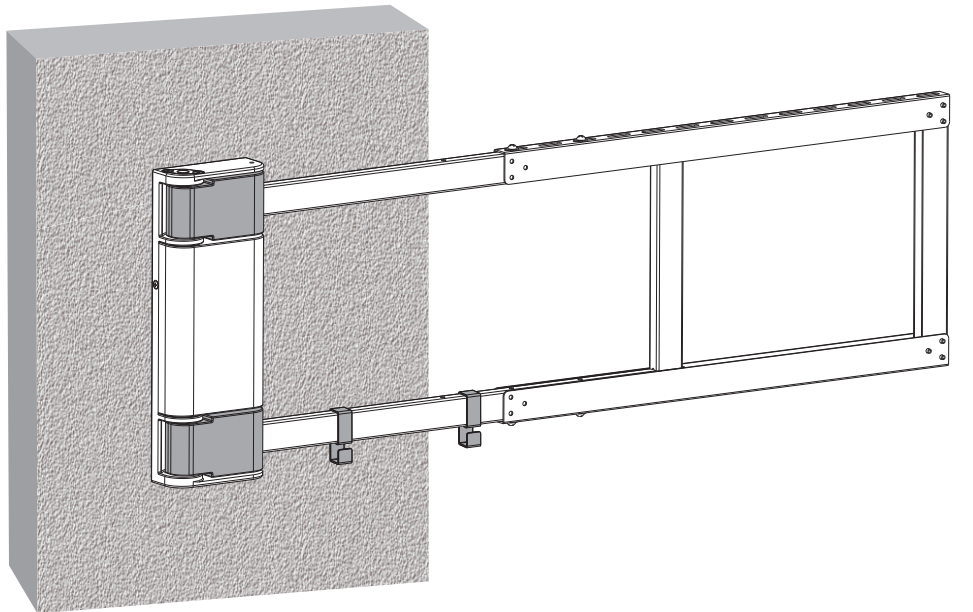
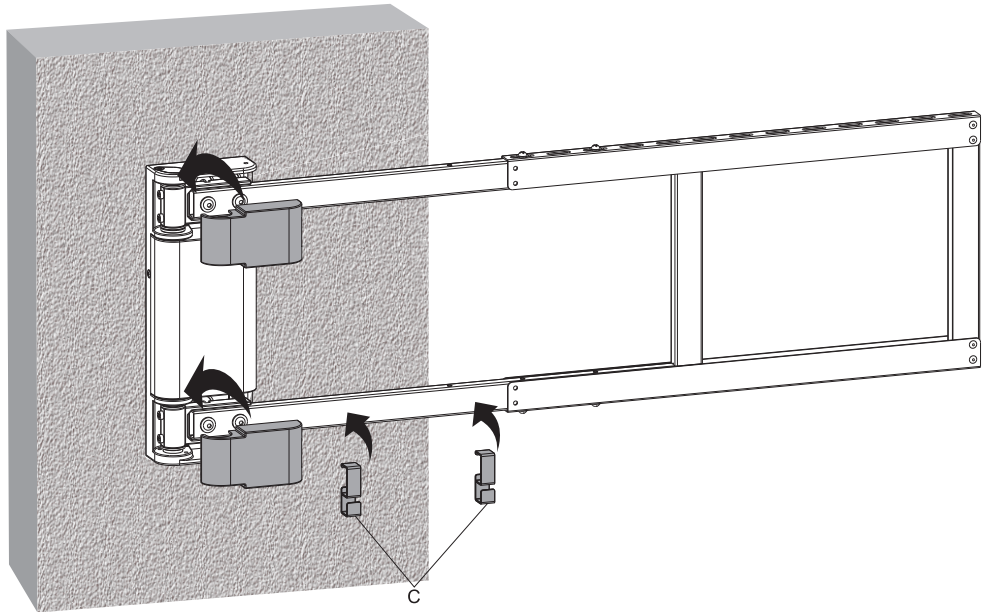
Installers must verify that the supporting surface will safely support the combined weight of the equipment and all attached hardware and components.

5. Installing the Decorative Covers and the Cable Clips

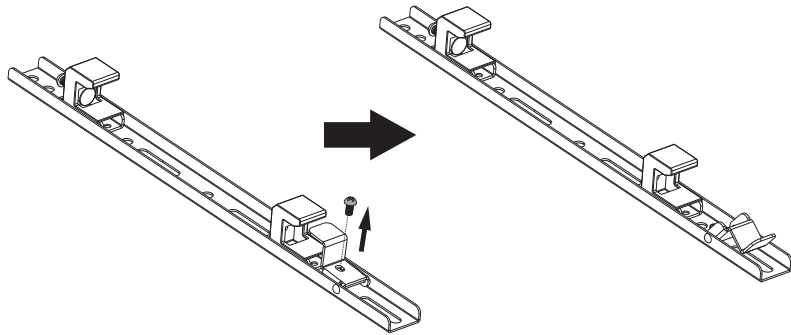
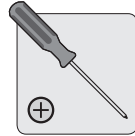


Screw the wall mount onto the wall

5. Installing the Decorative Covers and the Cable Clips

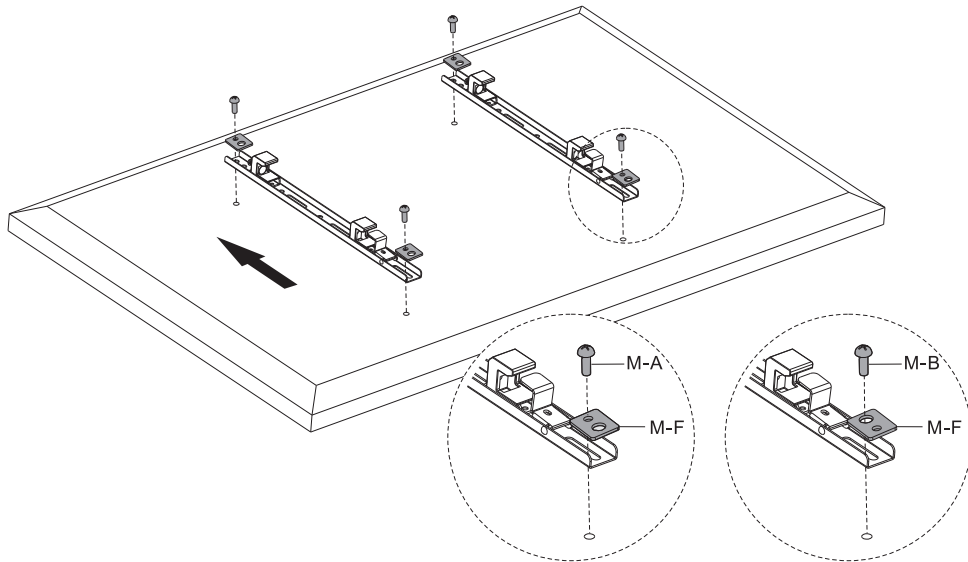


6. Installing the Adapter Brackets

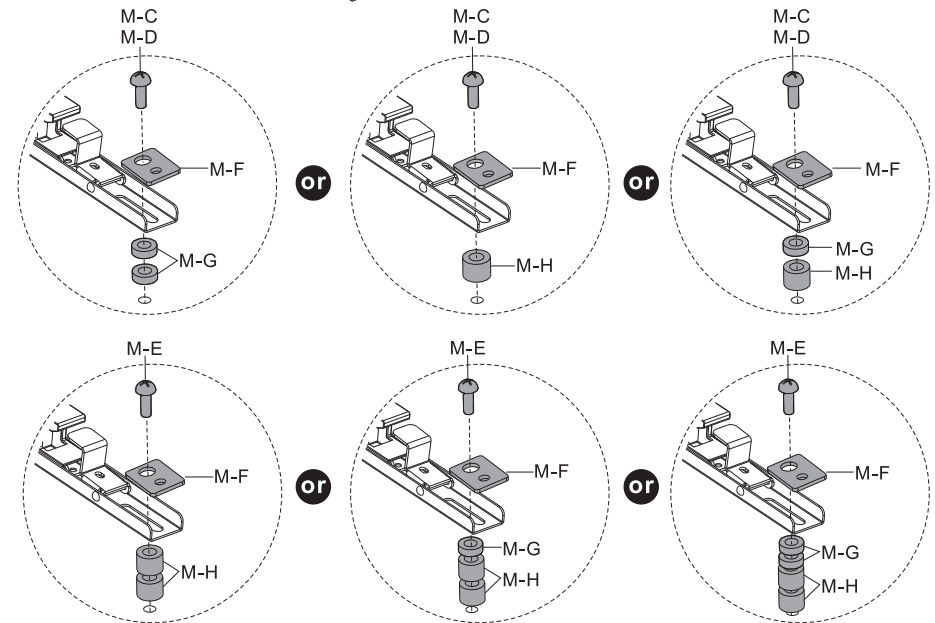
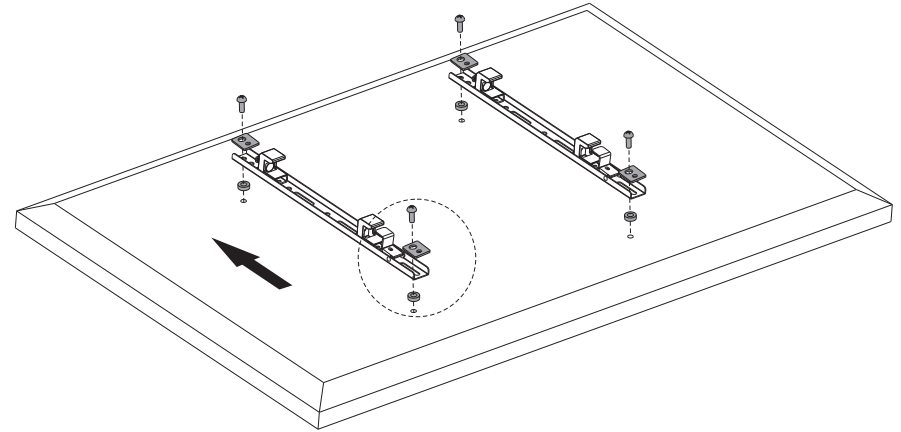
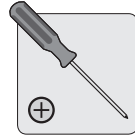
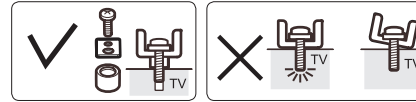


Remove the screws on the adapter brackets and keep the screws for later use.

6-1 For Flat Back Screens



6-2 For Recessed Back Screens or to Access A/V Inputs

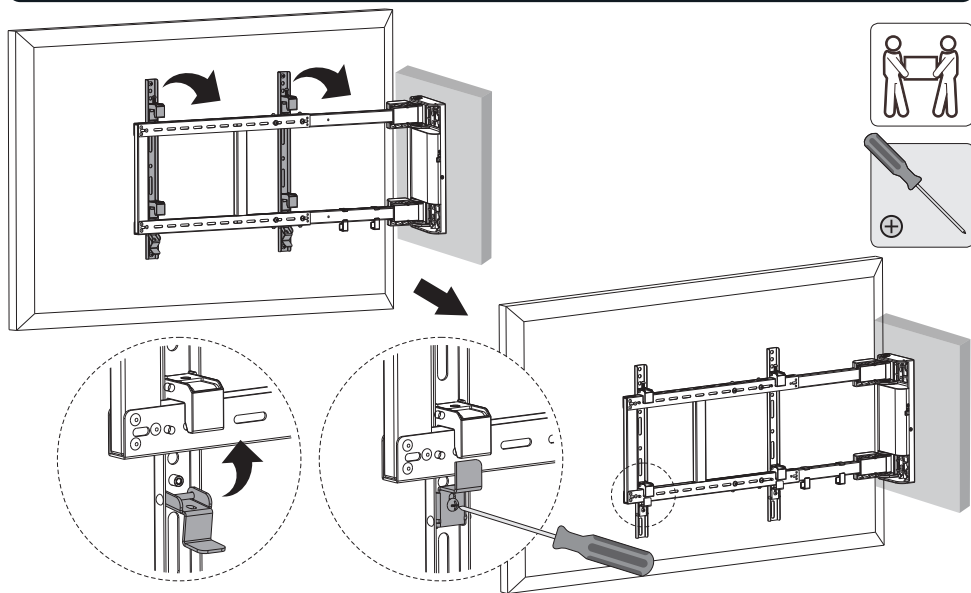


Note: Choose the appropriate screws, washers and spacers (if necessary) according to the type of screen.

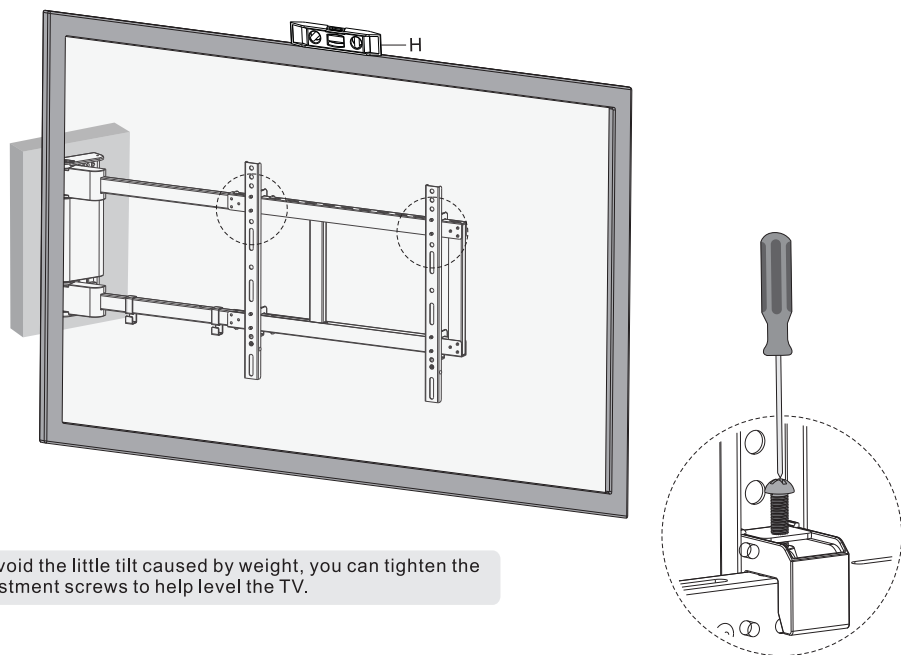
- Screw the adapter brackets onto the TV.
- Position the adapter brackets as close as possible to the middle of the screen.

⚠ Tighten all screws but do not over tighten.

7. Hooking the TV onto the Wall Mount

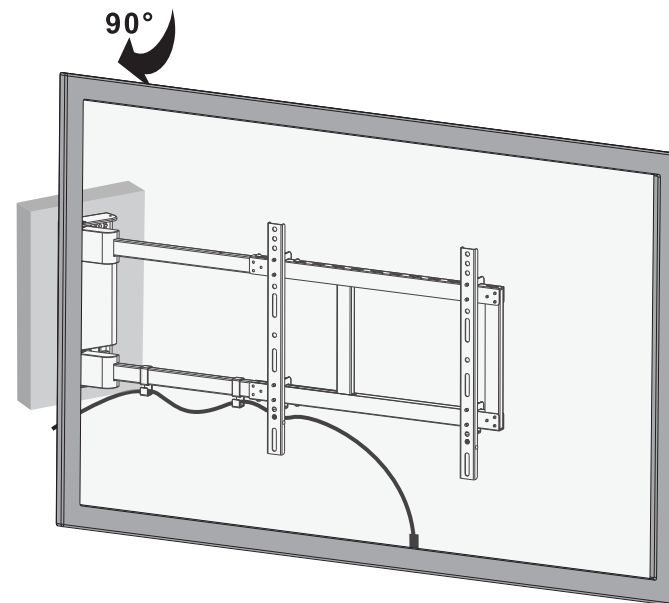


Hook the TV over the swing arm.
Reinstall the bottom screws to secure the adapter brackets to the swing arm.
Important: Make sure the TV is correctly hooked before releasing the TV.

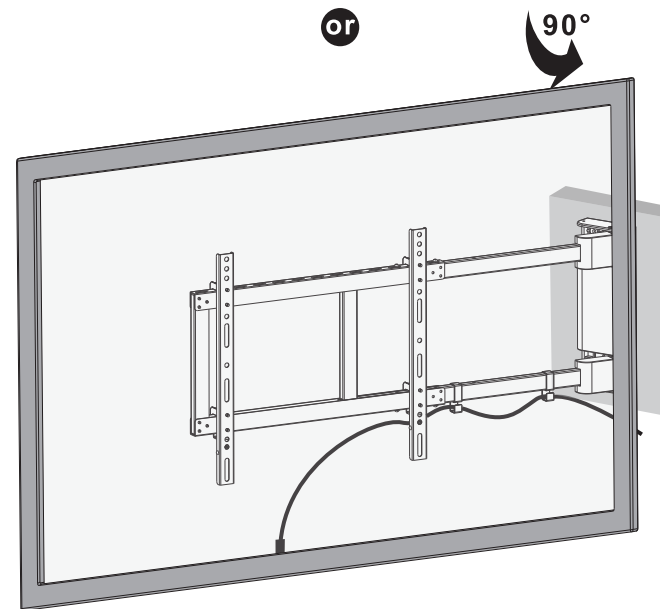


To avoid the little tilt caused by weight, you can tighten the adjustment screws to help level the TV.

8. Cable Management

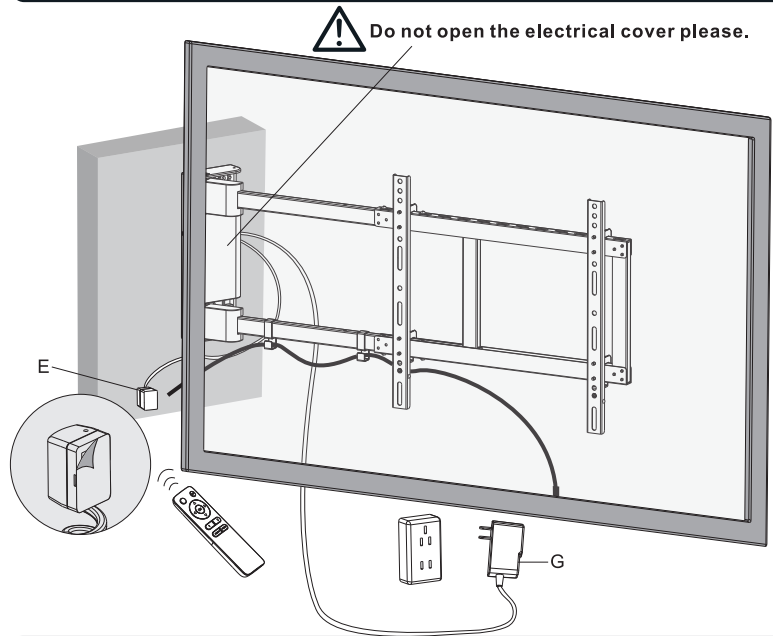


or



Connect the cables to your TV and route through the cable clips.
Note: Leave slack in the cables for arm movement.

9. Placing the IR Receiver

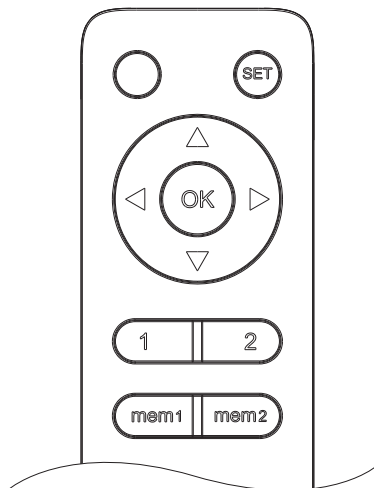


⚠ Do not plug into the power outlet until it is ready to be operated.

Peel the backing paper. Place the IR receiver into desired position. Make sure nothing will obstruct the transmission from where the TV will be viewed.

10. The Remote Control Operating Instructions

RMT-01
remote control



Remote control operation instructions

STEP 1: When powered, the buzzer sounds once beep, TV wall mount will be in standby state.

STEP 2: Forward and reverse installation choices (**NOTE 1:** There are forward and reverse installations for the TV wall mount. Swinging the TV wall mount to right against the wall that defaults to the forward installation. **If it is the forward installation, the STEP 2 is not required;** If it is the reverse installation, Press and hold \triangle for 5 seconds until the buzzer sounds twice beep beep, Remote control is now successfully set.

STEP 3: Press and release \odot to return the TV wall mount flat against the wall and hear one beep from the buzzer, the system will then enter a working condition.

Note : the remote control should use AAA battery.

Reset mode

STEP 1: Restart the power.

STEP 2: Press and hold \square for 3 seconds and repeat three times. The system will start automatic positioning: First positioning TV wall mount with flat against the wall, then positioning TV wall mount with 90° of lateral rotation until the TV wall mount automatically stop at 90° position.

Buttons function instructions

Follow the Key function instructions below to operate.

- \odot Stop button
- \triangleleft The left button. Press and release \triangleleft , the TV wall mount will swivel to the left until \odot is pressed or the TV wall mount swing to 90 degrees to stop.
- \triangleright The right button. Press and release \triangleright , the TV wall mount will swivel to the right until \odot is pressed or the TV wall mount swing to 0 degrees to stop.
- mem1 Memory button1. Press and hold for 3 seconds, the buzzer will sound twice beep beep, The memory is saved as location 1.
- mem2 Memory button2. Press and hold for 3 seconds, the buzzer will sound twice beep beep, The memory is saved as location 2.
- \square + \odot To recall the mem1 button(location 1). Press and release \square button, and then press \odot button, The TV wall mount will automatically swivel to the location1 after the buzzer sounds once.
- \square + \odot To recall the mem2 button(location 2). Press and release \square button, and then press \odot button, The TV wall mount will automatically swivel to the location2 after the buzzer sounds once.
- \triangle Forward and reverse installation choices button (Pressing the button is invalid once in the working condition).
- SET + \odot Learning button, Please read the instructions below for more info.


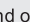
LEARN MODE operation instructions



The loss of matched remote control would result in TV wall mount being unusable. The **LEARN MODE** is used to learn how to use TV remote (ONLY suitable for the TV remote of popular brands.) to control TV wall mount.

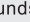
Note:


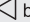
- TV remote can't replace the all functions of matched remote control. Only **LEARNING** the three buttons functions. With \triangleleft , \triangleright and \odot respectively.
- The user must follow the rules below when using the TV remote to control TV wall mount. Select the alternate buttons from the TV remote, and the button that can't direct control the TV.
- If you need to erase all the button functions LEARNED, press and hold \square for 3 seconds and repeat five times.
If you don't erase them, the new button functions LEARNED every time will overwrite the last button functions LEARNED.

LEARN MODE instructions as shown below:

STEP1: Press and hold  for 3 seconds until LED light on the matched remote control stays on, and then press . The buzzer will sound once, the red LED light on the IR receiver will stay on, then the **LEARN MODE** will be entered.


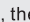
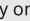
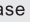
STEP2: If **LEARN** , please press  on the matched remote control until the buzzer sounds twice, the red LED light on the IR receiver will change from being steady to a slow flash.


STEP3: Aim the TV remote at the IR receiver, and press the button on the TV remote that you need to set as the function of  button until the buzzer sounds three times. the red LED light on the IR receiver will change from slow flash to a fast flash.

STEP4: Press  button on the matched remote control until the buzzer sounds four times. The red LED light on the IR receiver will turn off.  button will be **LEARNED** successfully. If the buzzer only sounds once, then a **LEARN** failure.(The TV remote won't support the **LEARNING** function).

(Please follow step1 through step4 in turn if the user need to **LEARN** more buttons)

Learn "Power" button on the TV remote:

Press and hold  for 3 seconds until LED light on the matched remote control stays on, and then press . The buzzer will sound once, the red LED light on the IR receiver will stay on, then press and hold  button on the matched remote control until the buzzer sounds twice, then release the  button. The red LED light on the IR receiver will change from being steady to a slow flash.

Aim the TV remote at the IR receiver, and press "Power" button. The buzzer will sound three times. The red LED light on the IR receiver will change from slow flash to a fast flash. Press  button on the matched remote control until the buzzer sounds four times. The red LED light on the IR receiver will turn off. "Power" button will be **LEARNED** successfully. If press "power" button, the TV wall mount will automatically reset.

Note: When there is no activity for over 20 seconds in any step .TV remote will automatically exit from the **LEARN MODE**.

Maintenance

- Check that the bracket is secure and safe to use at regular intervals(at least every three months).
- Please contact your distributor if you have any questions.

11. Repair

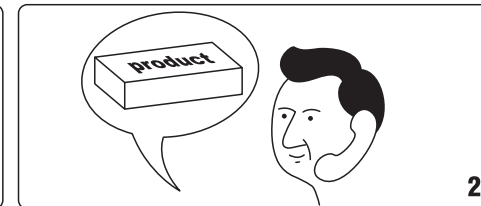
In Front 

This repair guide intends to help you identify and solve the minor problems caused by unusual operation of the electric system of our electric TV mounts. The simple procedures in this manual are easy to follow and capable of solving the most problems happened in everyday use.

Error Indication

**1. The Buzzer Constantly Gives Out Alarm Sound:
The Error Of Positioning Signal**

Reset the system by following the instruction manual. If the alarm sound continues, please contact us to replace the product.

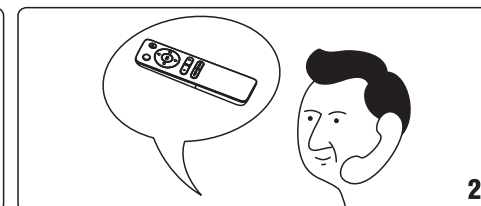
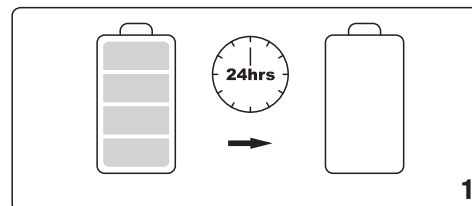


Remote Control Problems

1. Abnormal Loss Of Power

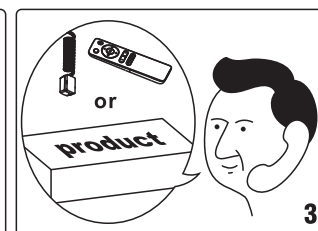
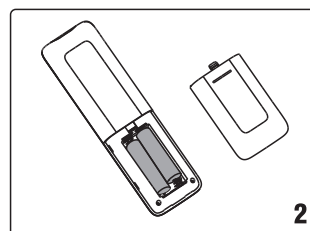
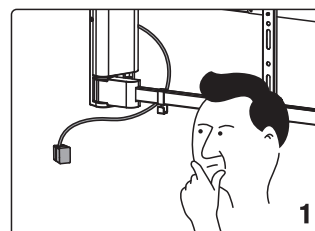
(Batteries Are Out Of Power After 24hrs Without Using The Remote Control.)

Please contact us to replace remote control.



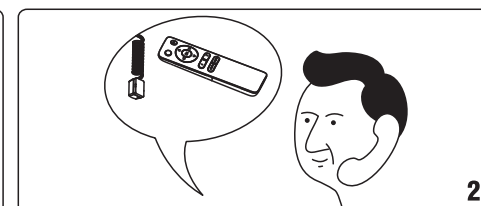
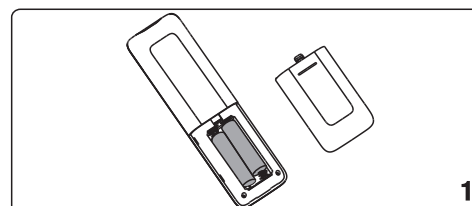
2. Buttons On Remote Control Don't Work.

1. Please check if the infrared ray receiver is properly connected to the product.
2. Please check if the batteries have power. If the problem isn't solved, please contact us to replace the remote control and infrared ray receiver. If the problem is still not solved after the replacement, please contact us to replace the product.



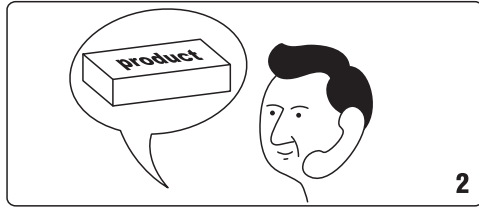
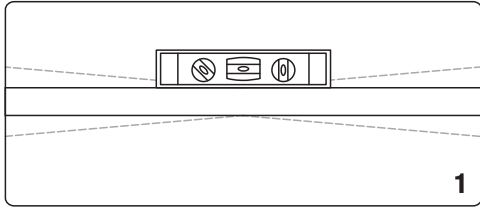
3. The Insensitivity Of Remote Control (The Functional Distance Is Less Than 3m.)

Please replace the batteries. If the problem is still not solved, please contact us to replace remote control and infrared ray receiver.



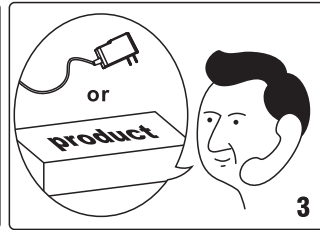
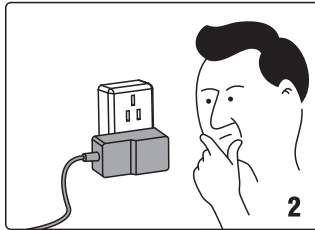
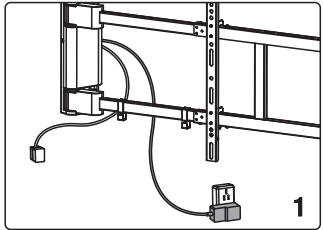
Unsteady Movement

Please check if the TV mount is evenly installed. If not, please readjust the TV mount to an even position. If the problem still happens please contact us to replace the product.



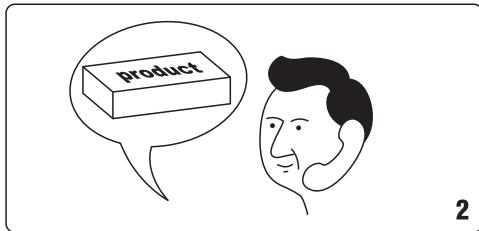
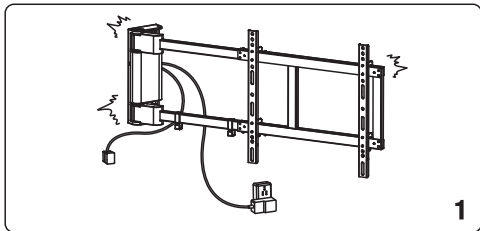
Can't Operate

Please check if the power adaptor is properly connected to the product. If so, please turn the power on. If there is no buzzer sound or red light power indication, please check if the power adaptor works properly. If the power adaptor doesn't work please contact us to replace the power adaptor. If the power adaptor works properly, but the TV mount doesn't work, please contact us to replace the product.



Abnormal Noise

Please contact us to replace the product.



Motor Can't Stop/Anti-Collision Mechanism Slips

Please contact us to replace the product.

