

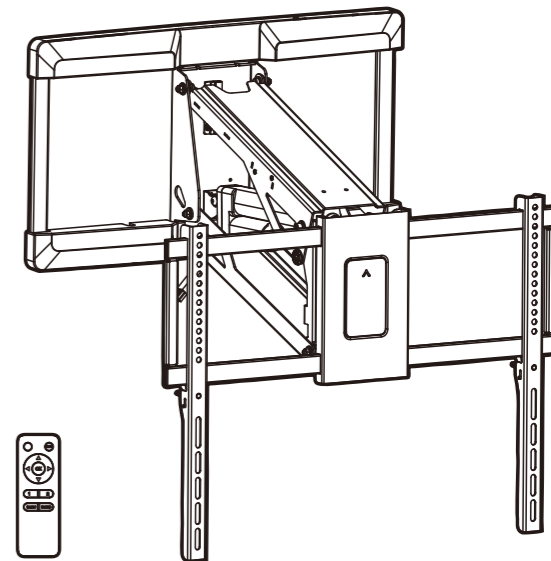


*nedis*

Instruction Manual

# MANTEL TV MOUNT

TVWM5880BK



## Preparation

### 1 What are the specifications you need to know?



Weight Capacity  
35kg (77lbs)



Flat/Curved  
37"-75"



VESA  
Compatible

200x100 200x200  
300x200 400x200  
300x300 400x300  
400x400 600x400

### 2 What are the tools you require while installation?

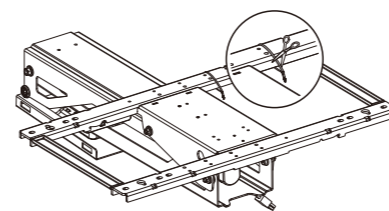


### 3 Things you need to know before installation

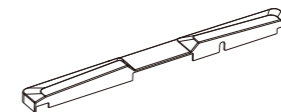
Ensure that you have received all parts according to the component checklist prior to installation. If any of the components are missing or damaged, contact your local seller for a replacement.

Now let's start the installation.

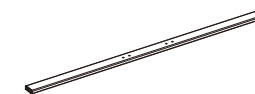
## Checklist and Installation



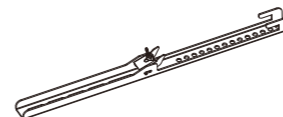
A (x1)



B (x2)



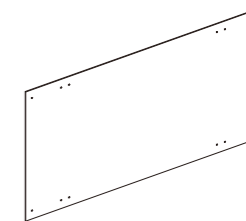
C (x2)



D (x2)



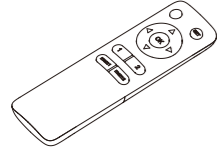
E (x2)



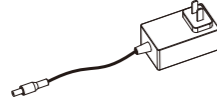
F (x1)



This page can be torn so that it's easier for you to match the components with the images.



G (x1)



H (x1)



I (x2)



J (x4)  
M4x20



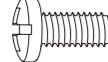
K (x4)  
M4x8



L (x1)  
2mm



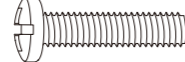
M-A (x4)  
M6x14



M-B (x4)  
M8x16



M-C (x4)  
M6x30



M-D (x4)  
M8x35



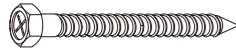
M-E (x4)  
D8



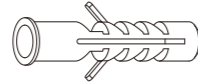
M-F (x4)  
Ø15xØ8x5



M-G (x4)  
Ø15xØ8x15



W-A (x6)  
ST6.3x55

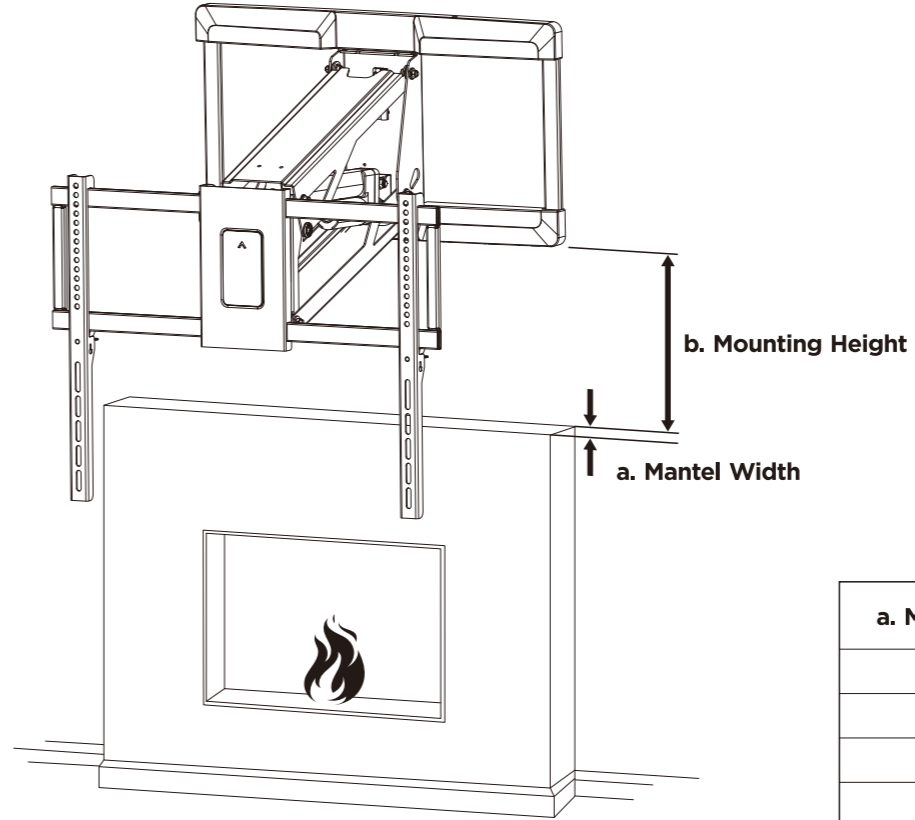


W-B (x6)  
Ø10x45

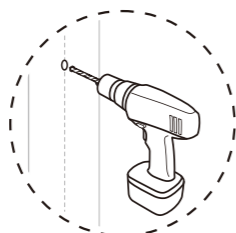
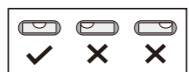
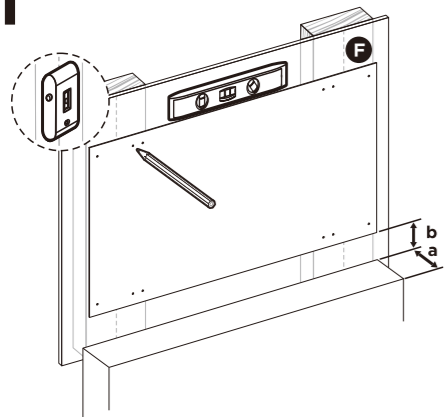



W-C (x6)  
D6

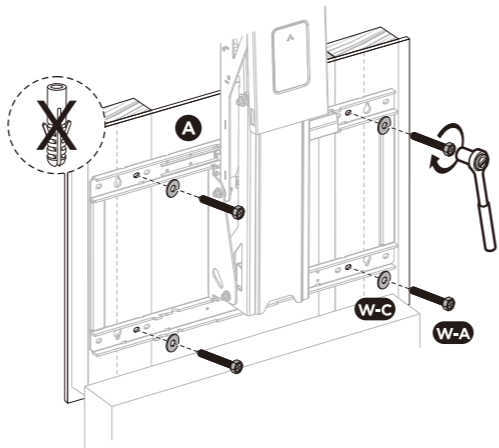
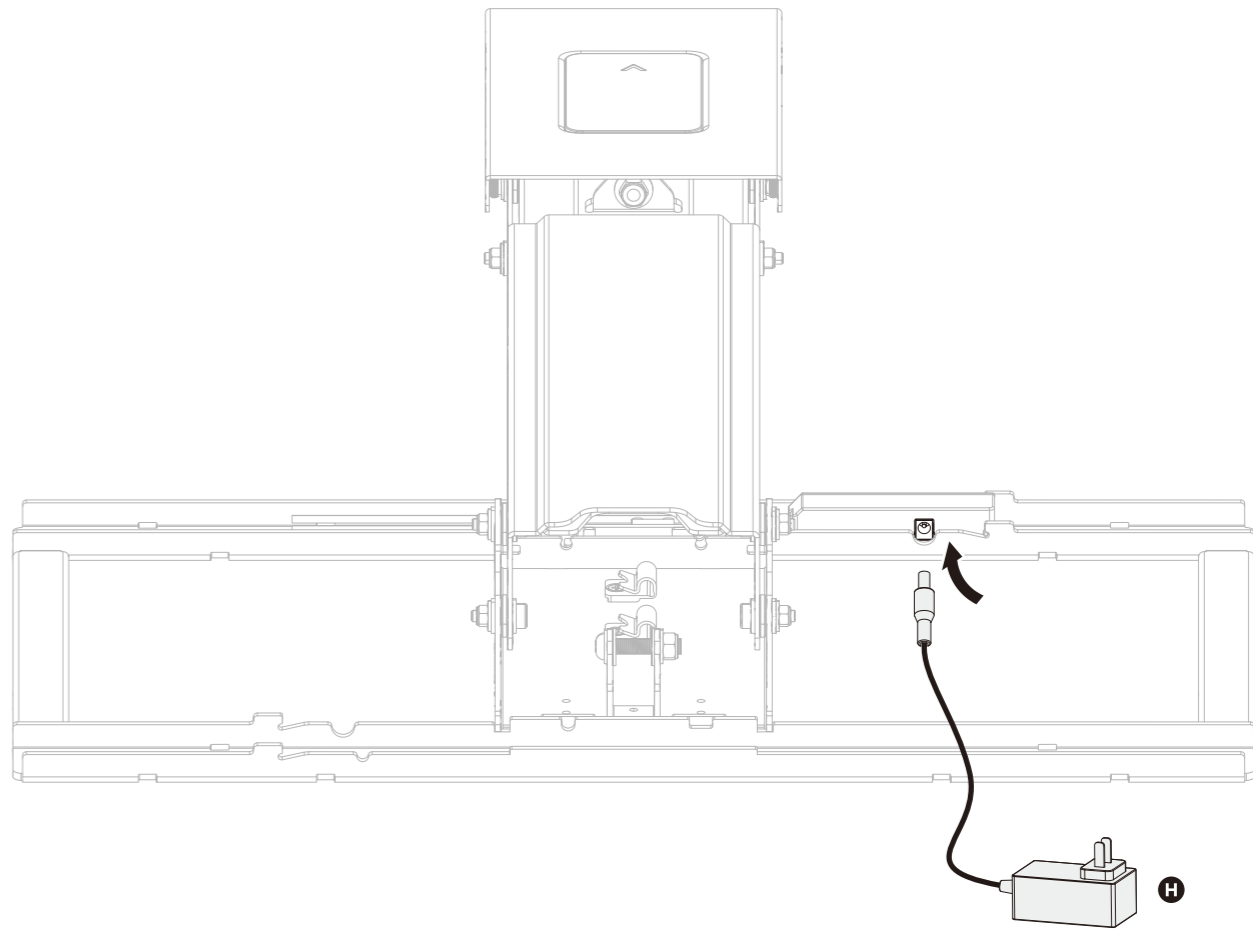
### Take Wall Placement Measurement



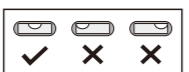
a. Mantel Width	b. Mounting Height Required
≤ 100mm	80mm
≤ 200mm	200mm
≤ 300mm	250mm
≤ 350mm	300mm


**1**

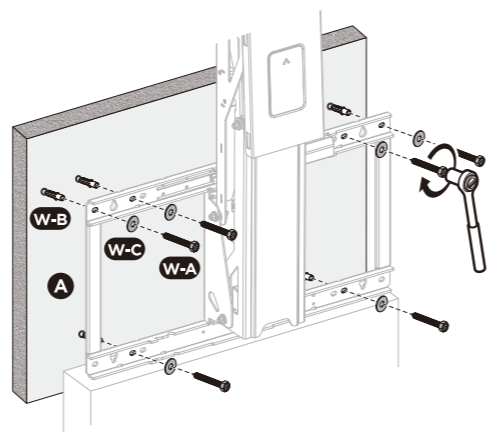
55mm  
(2.2")  Ø4,5mm  
(Ø3/16")

**2**

4

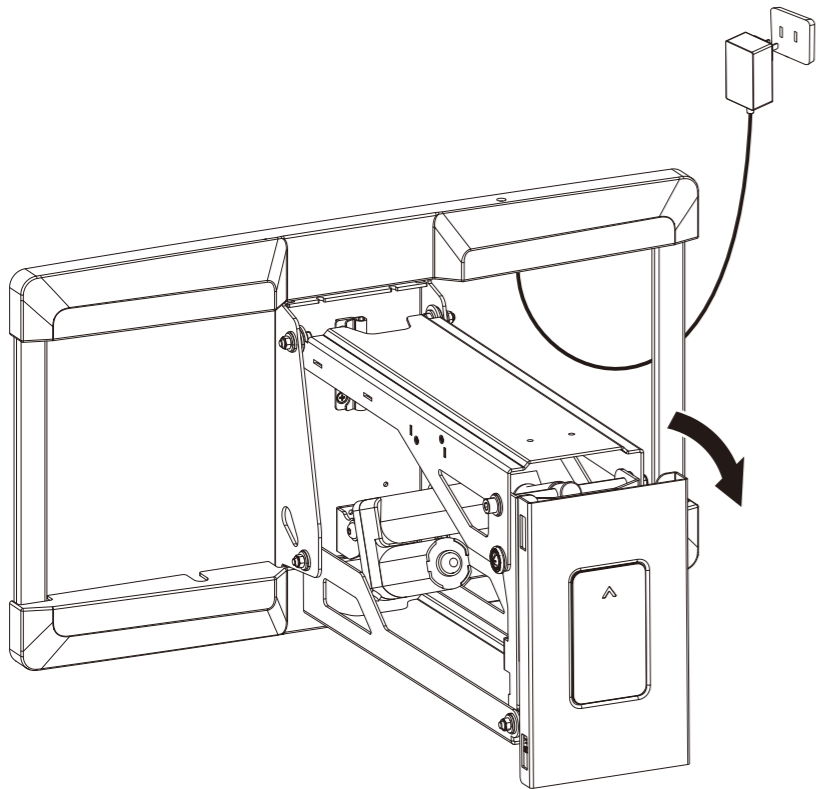


60mm  
(2.4")  Ø10mm  
(Ø3/8")

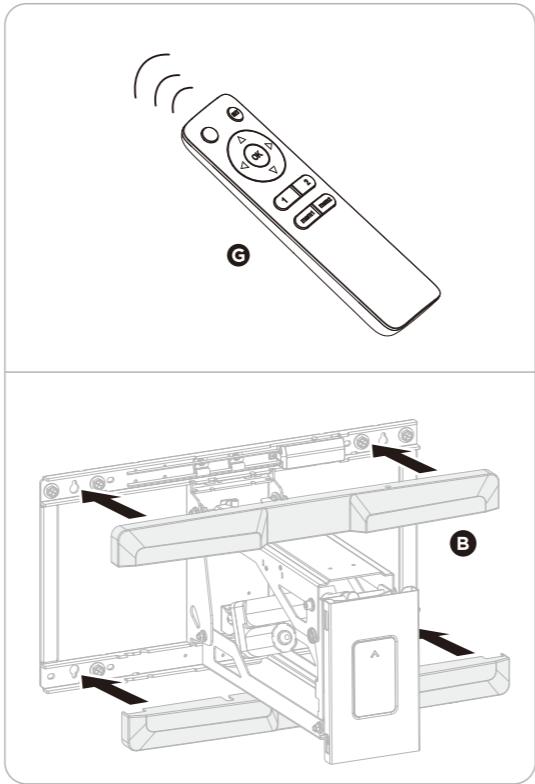


5

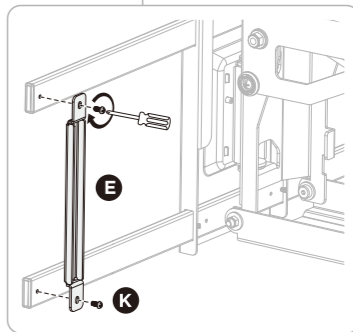
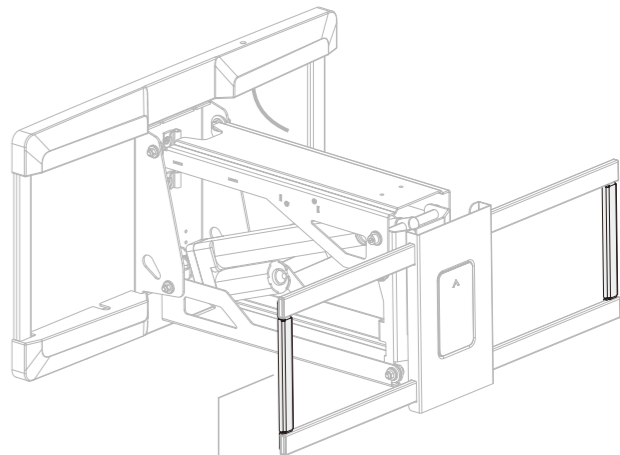
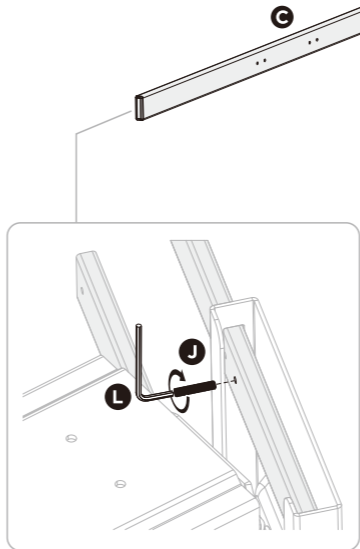
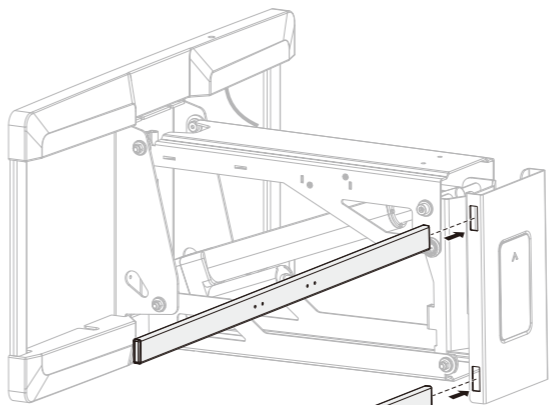
3



6

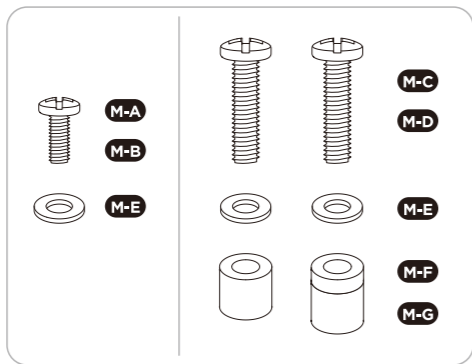
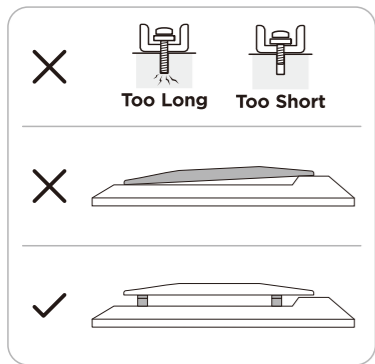
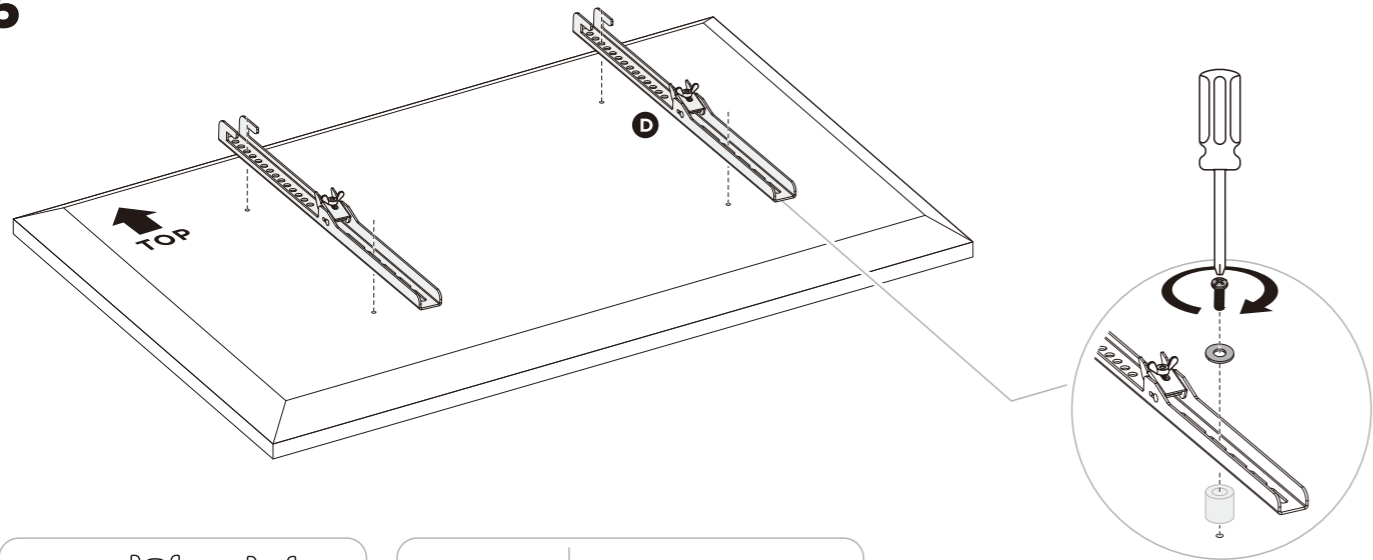


4

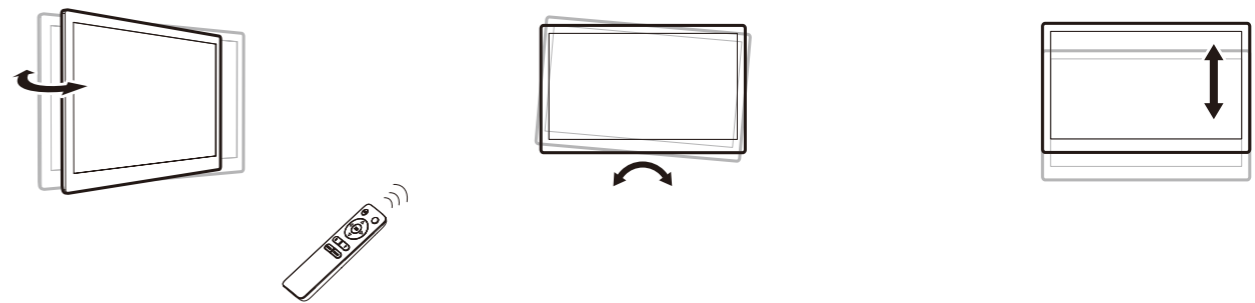
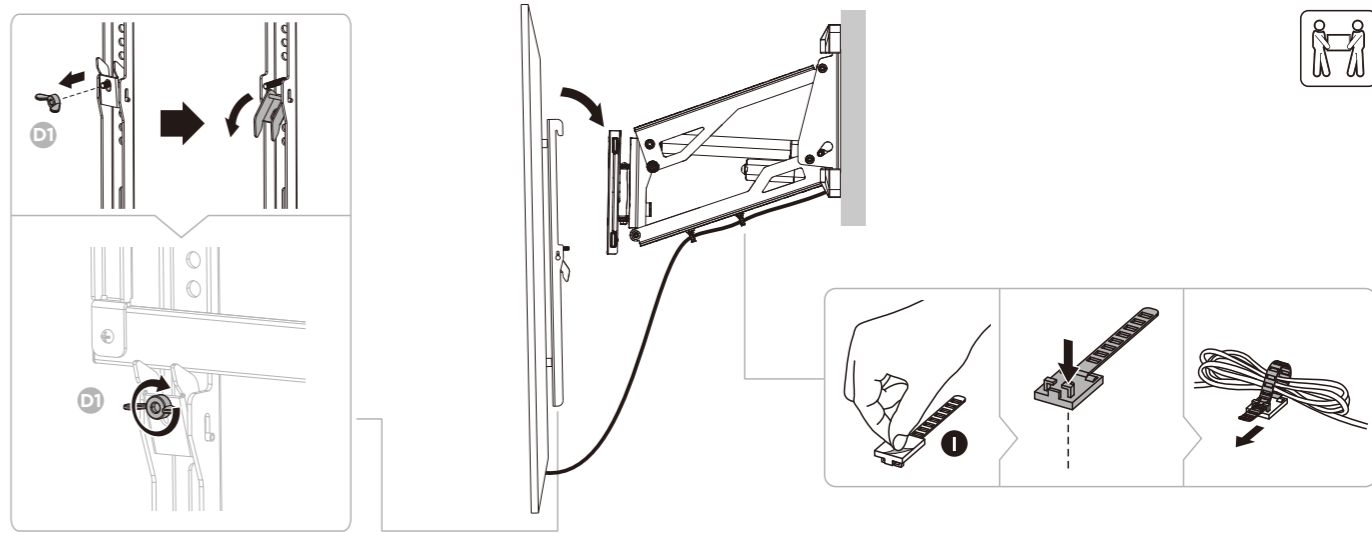


7

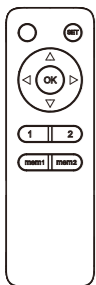
5



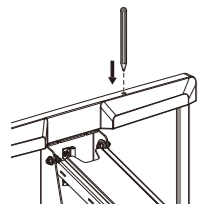
6



# Remote Control Operation Instructions



**Note:** The remote control is powered by two AAA batteries (not included).



## A. Button Functions

### 1.Upward/Downward Movement

Press and hold the "▲" button to lift the mount. Press and hold the "▼" button to lower the mount. (Tips: Clear up all obstacles within the range of motion.)

### 2.Memory Setting

Long press the "mem1" or "mem2" button for 3 seconds until you hear a beep, indicating that the current position has been saved to memory. The "mem1" "mem2" buttons can each store a different position.

### 3.Recall Memory

Press the "1" or "2" button and the mount will automatically get to the position saved in the corresponding button "mem1" or "mem2". Press any button to stop motion.

### 4.Default Setting

Short press the "OK" button and the mount will automatically retract to the highest position. Press any button to stop motion.

### 5. Reset Mode

Disconnect the power supply cord. Wait for 10 seconds and reconnect. Press and hold the button for 5 seconds until you hear a beep. The mount starts to move upward to the highest position and the control box emits double beeps.

### 6.Connect the Mount to a New Device

Short press the "mem2" button five times, you will hear two beeps at the fifth press, which indicates the mount is disconnecting from the current paired device. Then follow the *Guidebook of Tuya App Installation and Operation* to connect the mount to a new device.

**Note:** If the device is failed to search the mount when connecting, follow the above steps or restart the device to re-search the mount.

## B. Coding of Remote Control and Control Box

**STEP1:** When the mount is powered on, press the small button on the control box with a thin tool as shown. The unit will emit a beep, indicating that the control box is on standby for program coding.

**STEP2:** Press the "OK" button on the remote control, and the control box repeatedly beeps for approximate 10 seconds indicating that the remote control is being programmed. The process will be finished automatically until you can't hear a beep any longer.

**Note:** Clear up the historical data when replacing a new remote control to pair. Press the small button on the control box with hearing a beep, and hold for 10 seconds to confirm the data-cleaning process is completed until you hear a long beep.

## Electrical Safety Instructions

- The appliance is only to be used with the power supply unit provided with the appliance. Alterations of the given power unit aren't allowed.
- Never operate the system with a damaged power supply cord or plug. If any part is damaged, please contact your service agent of purchase for a replacement.
- Never operate the system if it's in moist environment or its electrical components has contact with liquids.
- Don't clean the product while the power is still connected.
- Don't disassemble or replace components while the power is still connected.
- Unplug the appliance when the system isn't in use, and place the power plug out of children reach.

# Warnings



## In Front

**The product is powered by electricity. In order to avoid burns, fire and electric shock and make sure the safe and correct use of the system and maintain the longevity of the overall construction and the built-in electronics, please read the instructions carefully.**

- This appliance can be used by children aged from 8 years and above if they have been given supervision or instruction concerning use of the appliance in a safe way and understand the hazards involved. Children shall not play with the appliance. Cleaning and user maintenance shall not be made by children without supervision.
- Persons with reduced physical, sensory or mental capabilities or lack of experience and knowledge must not use the appliance, unless they're under supervision, understand the hazards involved or they have been thoroughly instructed in the use of the apparatus by a person who is responsible for the safety of these persons.
- Don't leave the cords or plug unorganized in order to prevent tripping hazards.
- Any attempts to reconstruct the construction aren't allowed.

## TROUBLESHOOTING

**If a problem arises, please try the troubleshooting guidelines below. If the problem is not listed, please contact your local distributor for additional technical assistance.**

**Q:** The motorized TV mount does not respond to remote control.

**A:** Possible reasons caused by TV mount or remote control.

### TV Mount

- The system may be overheating. Check if the unit beeps four times after pressing the button. If so, allow the unit to cool down and return to room temperature (about 12 minutes).
- The AC/DC end of the power cord may be unplugged/disconnect from the outlet/mount. Check the connection to the outlet/mount to ensure the unit has power.

### Remote Control

- The remote control operating distance may be too far and not in range of the mount. Acceptable range should be less than 10m (30 feet).
- The batteries in the remote control may be low or dead. Replace the batteries.
- The remote control may be broken. Check to see if the indicator LED found on the remote lights when a button is pressed. If not, contact your place of purchase for a replacement.

**Q:** The TV mount stops moving during operation and emits a long beep.

**A:** Check to see if a foreign object is impeding the mount from moving. If so, remove the object and discard.

- The weight of TV may exceed the maximum weight limitation of the mounting system.
- The motor wire may be broken. Reset the system. If the problem still exists, contact your place of purchase for replacement.

**Q:** The TV mount is making an abnormal noise or sound.

**A:** Check all power connections and reset the system. If the unit continues to make an abnormal noise, please contact your place of purchase for a replacement.

